

Job Name: 26-1219 - 1662 Pinkerton Road
 Job Location: Brentwood, TN
 Contractor: Hayes Pipe Supply

Plant: 100
 5/11/2026 5:31:57 PM

Tech: Jared - F
 PC: T. Ryan



Structure ID: 5-9 SS-MH

P1 MH048BA30CDARED

MH BASE w/ConBlock-CDA Red T/n

- P4) 24" - CASTING HEIGHT - 7"
- P3) 48" - CON CONE w/24" HOLE, w/ConBlock-CDA Red F/G - 36"
- P2) 48" - MH RISER w/ConBlock-CDA Red T/G - 60"
- P1) 48" - MH BASE w/ConBlock-CDA Red T/n - 30"
- 1) JOINT WRAP - 0.065"x6"x50' CONSEAL CS212
- 1) JOINT WRAP PRIMER - CONSEAL CS-75 (1 gal.)
- 1) 48" - MH INVERT CHANNEL w/ConBlock-CDA Red - FULL HEIGHT
- 2) 48" - Conseal CS-102 1.00" (Double)
- 1) PSX - 12-08 NYLO
- 2) PSX - 12-06 NYLO
- 10) MH Step ML-10-TDS-NCR - 10"

0 lb
 2251 lb
 4192 lb
 3282 lb
 0 lb
 0 lb
 1440 lb
 0 lb
 8 lb
 16 lb
 0 lb

 Structure Total: 11189 lb

Structure Notes:

1. PER ASTM C478 SPECIFICATIONS.
2. CONCRETE = 4,000 PSI AT 28 DAYS.
3. ADMIXTURE = CONBLOCK CDA RED.
4. CASTING SUPPLIED BY OTHERS.

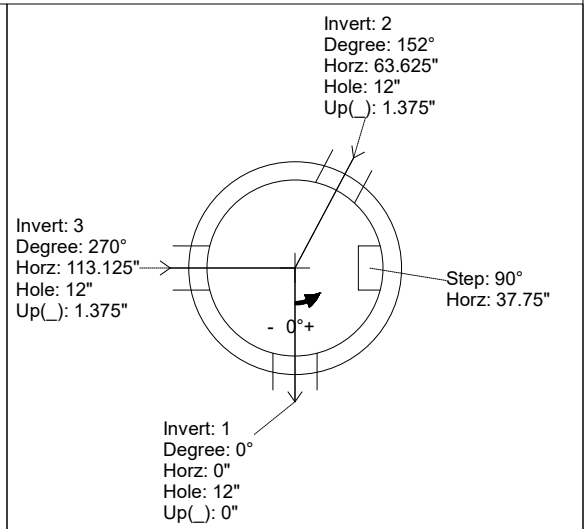
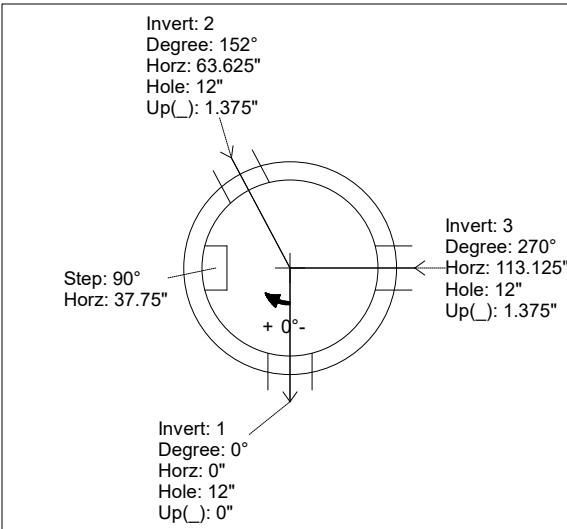
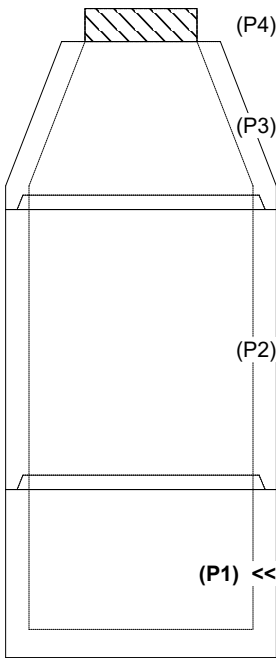
REINFORCING PER ASTM A615 (GRADE 60).
 - CONE (As .12)
 - RISER/WALLS (As .12)
 - FLOOR (As .31) #5 BARS AT 12" C.C.E.W.

Rim: 581.79' Rim to Invert: 11.07' Slack: 1.84" Sump: 2" Step Position: 90

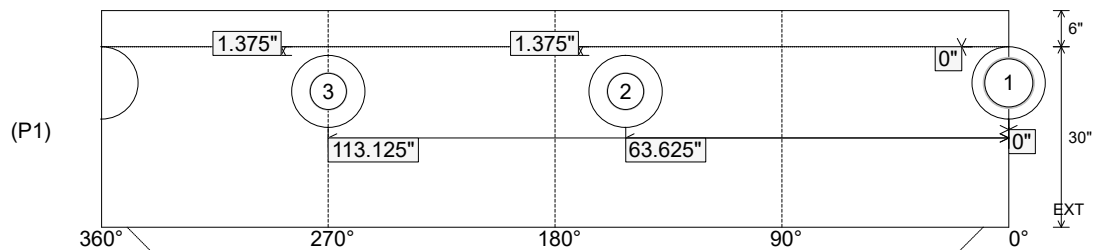
Position	Elev	Angle	Ext. (cw)	Pipe	Pipe OD	Connector	Hole	Horz Size	Up ()	Offset
Invert 1	570.72'	0°	0"	8" PVC SDR35	8.5"	PSX 12-08 NYLO	12"	12.129"	0"	0"
Invert 2	570.92'	152°	76.875"	6" PVC SDR35	6.25"	PSX 12-06 NYLO	12"	12.129"	1.375"	0"
Invert 3	570.92'	270°	136.625"	6" PVC SDR35	6.25"	PSX 12-06 NYLO	12"	12.129"	1.375"	0"
Invert 4										
Invert 5										
Invert 6										
Invert 7										
Invert 8										

RIGHT-SIDE UP VIEW (int. dimensions)

UPSIDE-DOWN VIEW (int. dimensions)



INSIDE WALL DIMENSIONS



Coating (Int):
 Coating (Ext):

Seam Up: Tongue
 Seam Dn: n/a

Wall Thickness: 5"
 Floor Height: 6"

Height (Int): 30"
 Height (Ext): 36"

Weight (Net): 3282 lb
 Volume (Net): 0.84cu.yd

Job Name: 26-1219 - 1662 Pinkerton Road
 Job Location: Brentwood, TN
 Contractor: Hayes Pipe Supply

Plant: 100
 5/11/2026 5:31:57 PM

Tech: Jared - F
 PC: T. Ryan



Structure ID: 5-9 SS-MH

P1 MH048BA30CDARED

MH BASE w/ConBlock-CDA Red T/n

- P4) 24" - CASTING HEIGHT - 7"
- P3) 48" - CON CONE w/24" HOLE, w/ConBlock-CDA Red F/G - 36"
- P2) 48" - MH RISER w/ConBlock-CDA Red T/G - 60"
- P1) 48" - MH BASE w/ConBlock-CDA Red T/n - 30"
- 1) JOINT WRAP - 0.065"x6"x50' CONSEAL CS212
- 1) JOINT WRAP PRIMER - CONSEAL CS-75 (1 gal.)
- 1) 48" - MH INVERT CHANNEL w/ConBlock-CDA Red - FULL HEIGHT
- 2) 48" - Conseal CS-102 1.00" (Double)
- 1) PSX - 12-08 NYLO
- 2) PSX - 12-06 NYLO
- 10) MH Step ML-10-TDS-NCR - 10"

0 lb
 2251 lb
 4192 lb
 3282 lb
 0 lb
 0 lb
 1440 lb
 0 lb
 8 lb
 16 lb
 0 lb

 Structure Total: 11189 lb

Structure Notes:
 1. PER ASTM C478 SPECIFICATIONS.
 2. CONCRETE = 4,000 PSI AT 28 DAYS.
 3. ADMIXTURE = CONBLOCK CDA RED.
 4. CASTING SUPPLIED BY OTHERS.

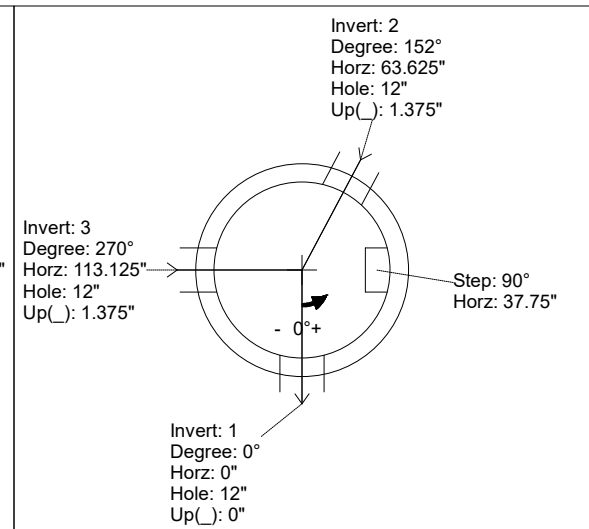
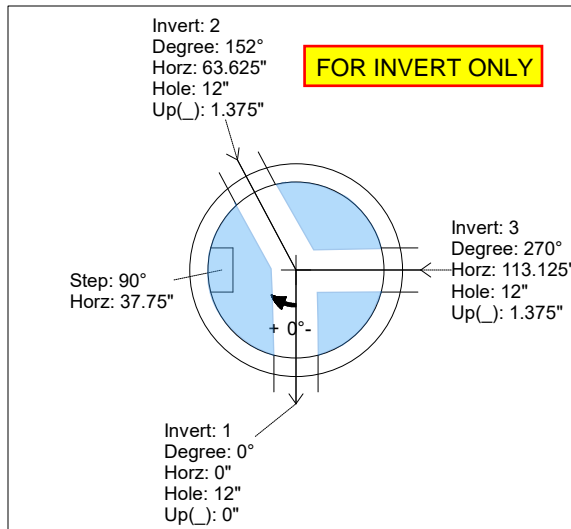
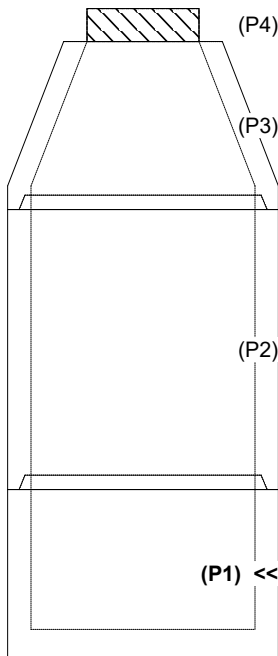
 REINFORCING PER ASTM A615 (GRADE 60).
 - CONE (As .12)
 - RISER/WALLS (As .12)
 - FLOOR (As .31) #5 BARS AT 12" C.C.E.W.

Rim: 581.79' Rim to Invert: 11.07' Slack: 1.84" Sump: 2" Step Position: 90

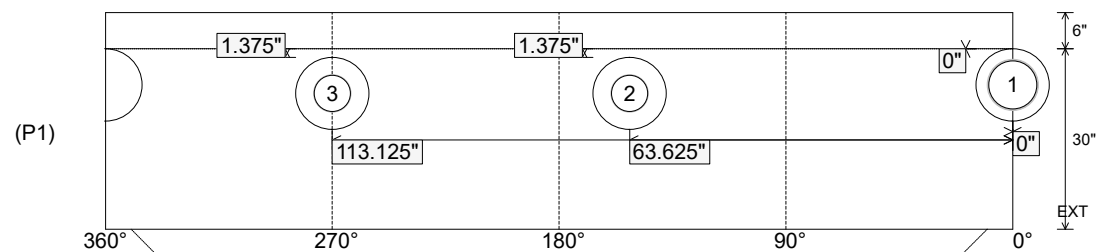
Position	Elev	Angle	Ext. (cw)	Pipe	Pipe OD	Connector	Hole	Horz Size	Up ()	Offset
Invert 1	570.72'	0°	0"	8" PVC SDR35	8.5"	PSX 12-08 NYLO	12"	12.129"	0"	0"
Invert 2	570.92'	152°	76.875"	6" PVC SDR35	6.25"	PSX 12-06 NYLO	12"	12.129"	1.375"	0"
Invert 3	570.92'	270°	136.625"	6" PVC SDR35	6.25"	PSX 12-06 NYLO	12"	12.129"	1.375"	0"
Invert 4										
Invert 5										
Invert 6										
Invert 7										
Invert 8										

RIGHT-SIDE UP VIEW (int. dimensions)

UPSIDE-DOWN VIEW (int. dimensions)



INSIDE WALL DIMENSIONS



Coating (Int):
 Coating (Ext):

Seam Up: Tongue
 Seam Dn: n/a

Wall Thickness: 5"
 Floor Height: 6"

Height (Int): 30"
 Height (Ext): 36"

Weight (Net): 3282 lb
 Volume (Net): 0.84cu.yd