

Job Name: 25-3452 - Churchill Downs Skye Terrace Improvements  
 Job Location: Louisville, KY 40208  
 Contractor: Louisville Paving and Construction

Plant: 100  
 4/30/2026 4:23:48 PM

Tech: Jared - F  
 PC: J. Jarvis



**Structure ID: S306**

**P1 MH048BAVF**

**MH BASE Custom Ht F/n**

- P3) 24" - CASTING HEIGHT - 3"
- P2) 48" - MH FLAT TOP w/ 24" ECC Hole F/F - 7"
- P1) 48" - MH BASE Custom Ht F/n - 56"
- 1) CASTING - HOE MC-420 F/C Storm
- 1) 48" - Conseal CS-102 1.00"
- 1) Hole - 16
- 1) DOGHOUSE INVRTD - 10"x10"

0 lb  
 1286 lb  
 5113 lb  
 340 lb  
 0 lb  
 0 lb  
 0 lb  
 -----  
 Structure Total: 6739 lb

**Structure Notes:**  
 1. PER ASTM C478 SPECIFICATIONS.  
 2. CONCRETE = 4,000 PSI AT 28 DAYS.  
 3. NO STEPS AND NO INVERT CHANNEL.  
 4. CASTING BY ICAST (HOE MC-420 F/C STORM)

REINFORCING PER ASTM A615 (GRADE 60).  
 - TOP SLAB (As .62) #5 BARS AT 6" C.C.E.W..  
 - RISER/WALLS (As .12)  
 - FLOOR (As .31) #5 BARS AT 12" C.C.E.W.

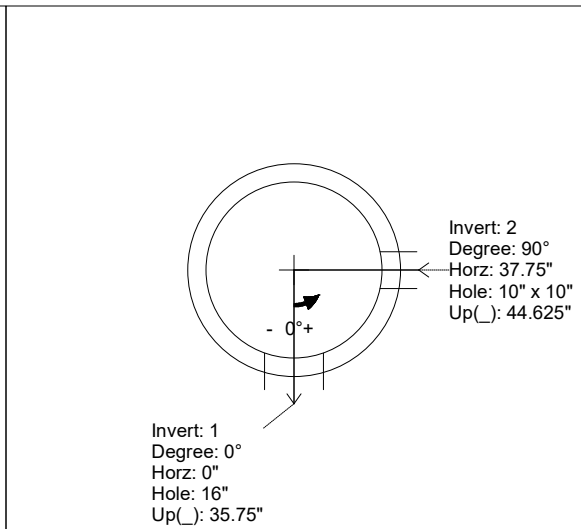
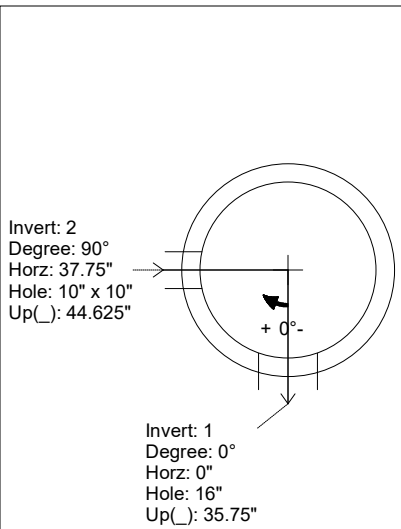
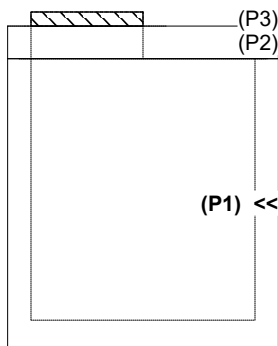
Rim: 453.1' Rim to Invert: 2.5' Slack: 0.96" Sump: 36.96" Step Position:

Position	Elev	Angle	Ext. (cw)	Pipe	Pipe OD	Connector	Hole	Horz Size	Up ( )	Offset
Invert 1	450.6'	0°	0"	12" HDPE	14.5"	Hole 16	16"	16.312"	35.75"	0"
Invert 2	451.26'	90°	45.5"	8" PVC SDR26	8.5"	DOGHOUSE INVRTD 10"x10"	10" x 10"	10.074"	44.625"	0"
Invert 3										
Invert 4										
Invert 5										
Invert 6										
Invert 7										
Invert 8										

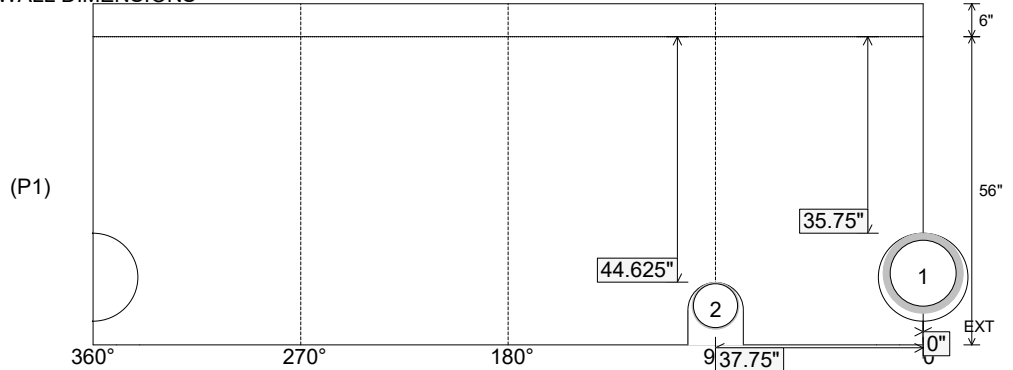
RIGHT-SIDE UP VIEW (int. dimensions)

UPSIDE-DOWN VIEW (int. dimenions)

**NOTE:**  
 Outlet pipe shall be trapped.



INSIDE WALL DIMENSIONS



Coating (Int): Coating (Ext):	Seam Up: Flat Seam Dn: n/a	Wall Thickness: 5" Floor Height: 6"	Height (Int): 56" Height (Ext): 62"	Weight (Net): 5113 lb Volume (Net): 1.31cu.yd
----------------------------------	-------------------------------	--	--	--