

Job Name: 25-3452 - Churchill Downs Skye Terrace Improvements
 Job Location: Louisville, KY 40208
 Contractor: Louisville Paving and Construction

Plant: 100
 4/30/2026 1:21:55 PM

Tech: Jared - F
 PC: J. Jarvis



Structure ID: S301

P1 MH072BA84

MH BASE T/n

- P4) 24" - CASTING HEIGHT - 7"
- P3) 72" - MH FLAT LID w/24in ECC Hole F/G - 15"
- P2) 72" - MH RISER T/G - 24"
- P1) 72" - MH BASE T/n - 84"
- 1) CASTING - HOE MC-420 F/C Storm
- 2) 72" - Conseal CS-102 1.00"
- 1) Hole - 14
- 1) Hole - 38
- 1) Hole - 30
- 1) Hole - 8
- 1) Hole - 44
- 9) MH Step ML-10-TDS-NCR - 10"

0 lb
 5098 lb
 3499 lb
 13953 lb
 340 lb
 0 lb
 0 lb
 0 lb
 0 lb
 0 lb
 0 lb
 0 lb
 0 lb
 0 lb
 0 lb

- Structure Notes:**
1. PER ASTM C478 SPECIFICATIONS.
 2. CONCRETE = 4,000 PSI AT 28 DAYS.
 3. NO INVERT CHANNEL.
 4. CASTING BY ICAST (HOE MC-420 F/C STORM)

REINFORCING PER ASTM A615 (GRADE 60).
 - TOP SLAB (As .62) #5 BARS AT 6" C.C.E.W..
 - RISER/WALLS (As .18)
 - FLOOR (As .37) #5 BARS AT 10" C.C.E.W.

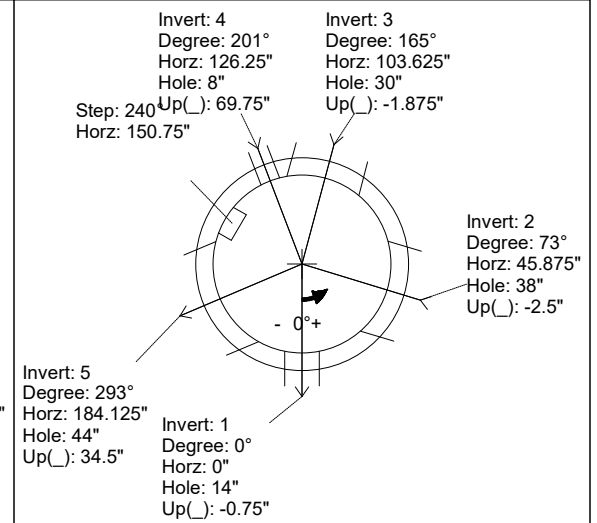
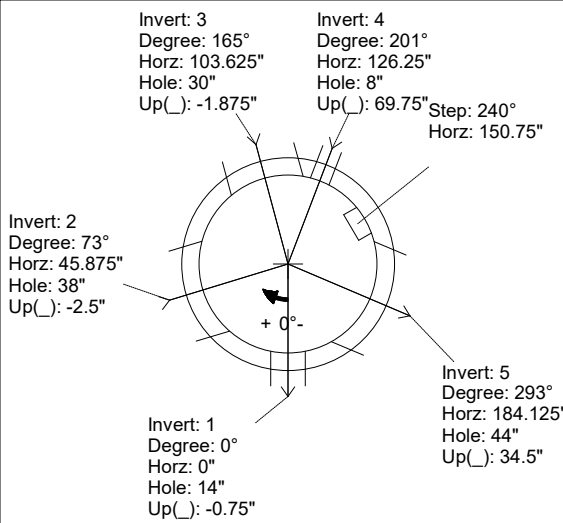
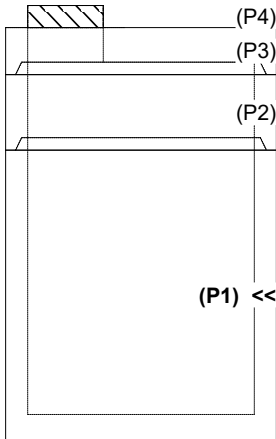
Structure Total: 22890 lb

Rim: 455.98' Rim to Invert: 10.84' Slack: 0.08" Sump: 0" Step Position: 240°

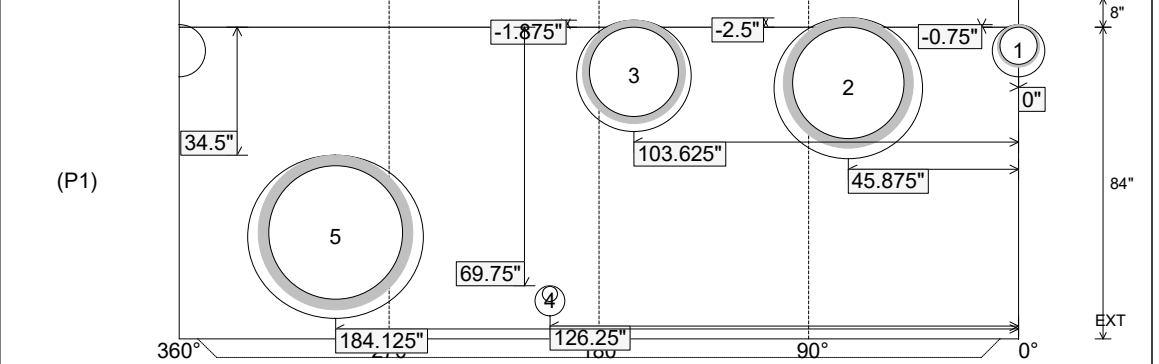
Position	Elev	Angle	Ext. (cw)	Pipe	Pipe OD	Connector	Hole	Horz Size	Up ()	Offset
Invert 1	445.14'	0°	0"	10" HDPE	11.4"	Hole 14	14"	14.09"	-0.75"	0"
Invert 2	445.14'	73°	54.75"	30" HDPE	35.1"	Hole 38	38"	40.031"	-2.5"	0"
Invert 3	445.14'	165°	123.875"	24" HDPE	27.8"	Hole 30	30"	30.944"	-1.875"	0"
Invert 4	450.96'	201°	150.875"	4" PVC SDR26	4.25"	Hole 8	8"	8.017"	69.75"	0"
Invert 5	448.25'	293°	219.875"	36" HDPE	41.7"	Hole 44	44"	47.337"	34.5"	0"
Invert 6										
Invert 7										
Invert 8										

RIGHT-SIDE UP VIEW (int. dimensions)

UPSIDE-DOWN VIEW (int. dimensions)



INSIDE WALL DIMENSIONS



Coating (Int): Coating (Ext):	Seam Up: Tongue Seam Dn: n/a	Wall Thickness: 7" Floor Height: 8"	Height (Int): 84" Height (Ext): 92"	Weight (Net): 13953 lb Volume (Net): 3.56cu.yd
----------------------------------	---------------------------------	--	--	---