

Job Name: 25-2952 - KYTC Jefferson Co Call 106 (251315)
 Job Location: Indiana, KY
 Contractor: Louisville Paving and Construction

Plant: 100
 5/12/2026 1:01:41 PM

Tech: J. Horsley - A
 PC: J. Jarvis



Structure ID: 126

P2 MH048LD12ECC

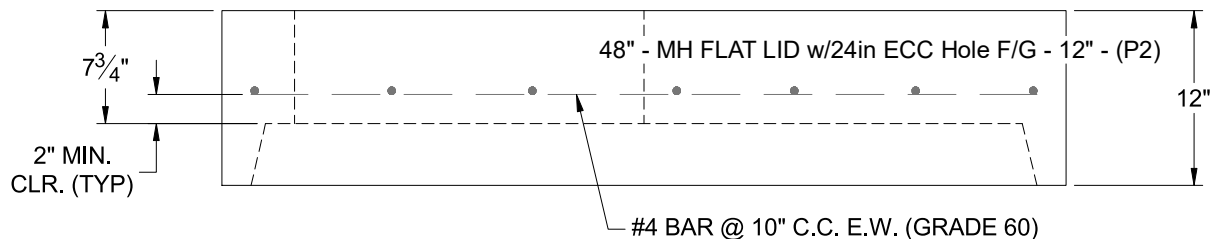
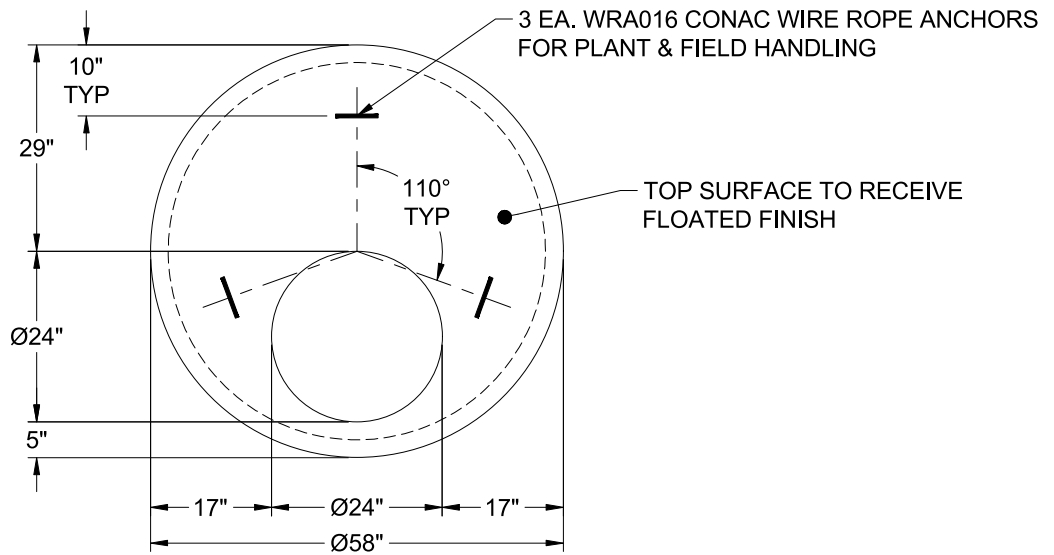
MH FLAT LID w/24in ECC Hole F/G

- P3) 24" - CASTING HEIGHT - 4"
- P2) 48" - MH FLAT LID w/24in ECC Hole F/G - 12"
- P1) 48" - MH BASE Custom Ht T/n - 37"
- 1) 48" - Conseal CS-102 1.00"
- 1) Hole - 20
- 2) Hole - 18
- 3) MH Step ML-10-TDS-NCR - 10"

0 lb
 1561 lb
 3562 lb
 0 lb
 0 lb
 0 lb
 0 lb

 0 lb
 Structure Total: 5123 lb

- Structure Notes:**
 KYTC STATE PROJECT
1. PER KYTC MANHOLE TYPE A / ASTM C-478 SPECS
 2. CONCRETE: 4,000 PSI AT 28 DAYS
 3. REINFORCEMENT: #4 BAR @ 10" C.C. E.W. (GRADE 60) - 2" MIN. REBAR CLEARANCE (TYP)
 4. HOE KY-206 FRAME & COVER "STORM" SUPPLIED BY OTHERS
 5. LIFTERS: 3 EA. WRA016 CONAC WIRE ROPE ANCHORS FOR PLANT & FIELD HANDLING
 6. TOP SURFACE TO RECEIVE FLOATED FINISH



Coating (Int):
 Coating (Ext):

Seam Up: Flat
 Seam Dn: Groove

Wall Thickness: 5"

Height (Ext): 12"

Weight (Net): 1561 lb
 Volume (Net): 0.4cu.yd