

Job Name: 25-2952 - KYTC Jefferson Co Call 106 (251315)	Plant: 100	Tech: J. Horsley - A	
Job Location: Indiana, KY Contractor: Louisville Paving and Construction	5/12/2026 12:59:28 PM	PC: J. Jarvis	

Structure ID: 126

P1 MH048BAVF

MH BASE Custom Ht T/n

P3) 24" - CASTING HEIGHT - 4"	0 lb
P2) 48" - MH FLAT LID w/24in ECC Hole F/G - 12"	1561 lb
P1) 48" - MH BASE Custom Ht T/n - 37"	3562 lb
1) 48" - Conseal CS-102 1.00"	0 lb
1) Hole - 20	0 lb
2) Hole - 18	0 lb
3) MH Step ML-10-TDS-NCR - 10"	0 lb
Structure Total:	5123 lb

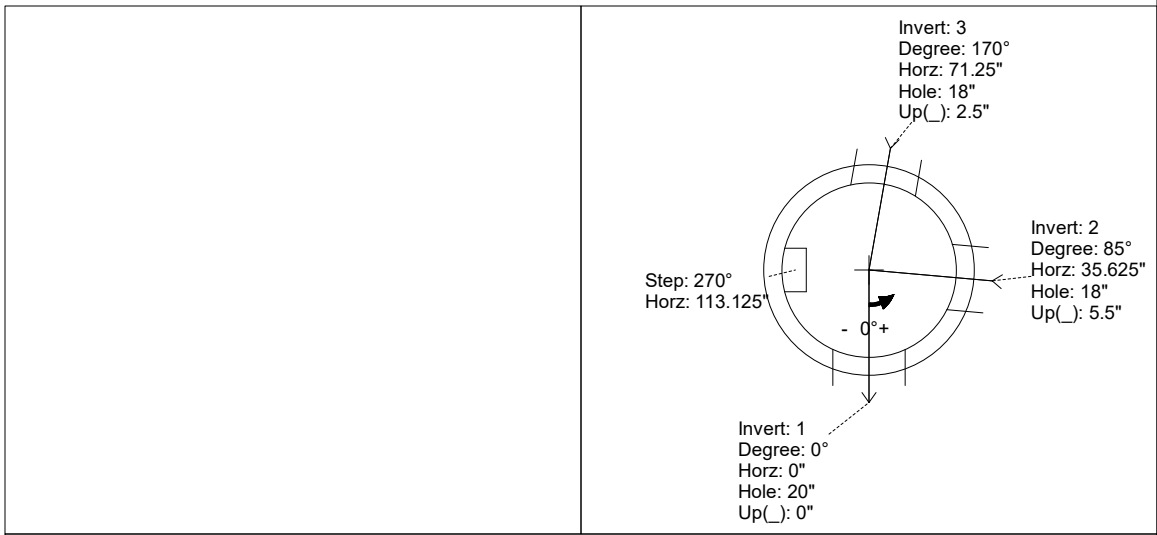
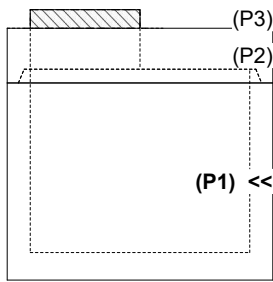
Structure Notes:
****KYTC STATE PROJECT****
 1. PER KYTC MANHOLE TYPE A / ASTM C-478 SPECS
 2. CONCRETE: 4,000 PSI AT 28 DAYS
 3. REINFORCEMENT: PER ASTM A615
 4. NO STORM INVERT
 5. STEPS AT 270 DEGREES
 6. HOE KY-206 FRAME & COVER "STORM" SUPPLIED BY OTHERS

Rim: 566.72' Rim to Invert: 4.25' Slack: 0.5" Sump: 2.5" Step Position: 0°

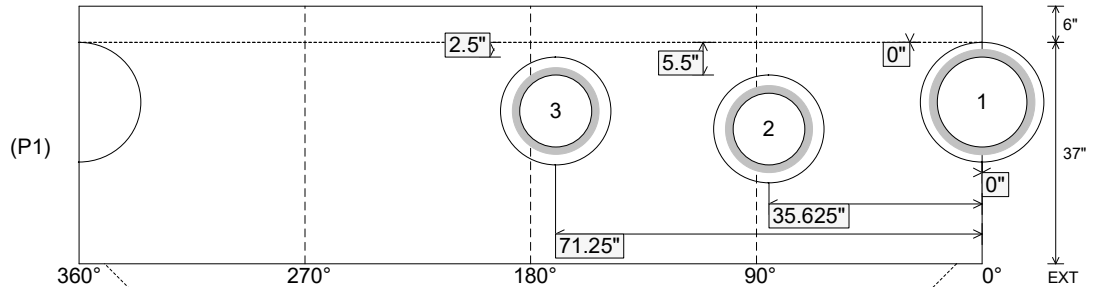
Position	Elev	Angle	Ext. (cw)	Pipe	Pipe OD	Connector	Hole	Horz Size	Up ()	Offset
Invert 1	562.47'	0°	0"	15" HDPE	17.6"	Hole 20	20"	20.629"	0"	0"
Invert 2	562.97'	85°	43"	12" HDPE	14.5"	Hole 18	18"	18.451"	5.5"	0"
Invert 3	562.72'	170°	86"	12" HDPE	14.5"	Hole 18	18"	18.451"	2.5"	0"
Invert 4										
Invert 5										
Invert 6										
Invert 7										
Invert 8										

RIGHT-SIDE UP VIEW (int. dimensions)

UPSIDE-DOWN VIEW (int. dimensions)



INSIDE WALL DIMENSIONS



Coating (Int): Coating (Ext):	Seam Up: Tongue Seam Dn: n/a	Wall Thickness: 5" Floor Height: 6"	Height (Int): 37" Height (Ext): 43"	Weight (Net): 3562 lb Volume (Net): 0.91cu.yd
----------------------------------	---------------------------------	--	--	--