

Job Name: 24-4171 - McKinney Water District Contract 1B Phase 2  
 Job Location: Stanford, KY  
 Contractor: Frederick and May Construction

Plant: 100  
 5/5/2026 8:17:40 PM

Tech: Jared - F  
 PC: E. Bradley



**Structure ID: METER VAULT - 8**

**P1 BX4884-06BAVF-FLAT**

**BOX BASE 6inW, 6inF, Variable Ht F/n**

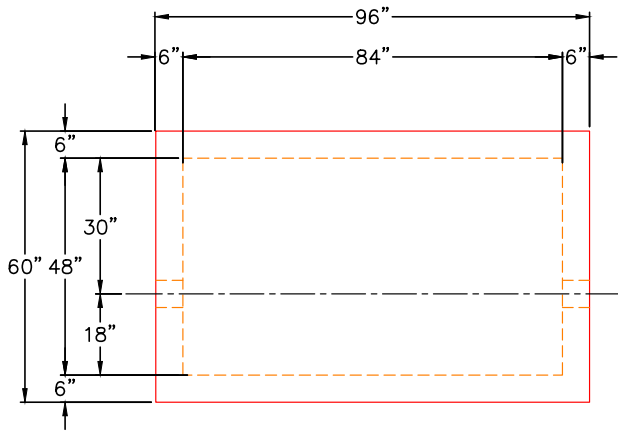
- P3) 36" x 60" - HATCH (CAST FLUSH) - 3"
- P2) 48" x 84" - CB FLAT TOP 6"W w/36"x60" HATCH F/F - 8"
- P1) 48" x 84" - BOX BASE 6inW, 6inF, Variable Ht F/n - 54"
- 1) HATCH (Alum.) - HALLIDAY W1S 36"x60"
- 1) 48" x 84" - Conseal CS-102 1.00" (Double)
- 1) 36" x 60" - Conseal CS-102 1.00" (Double)
- 2) Hole - 6

100 lb  
 2417 lb  
 10702 lb  
 116 lb  
 0 lb  
 0 lb  
 0 lb  
 -----  
 Structure Total: 13334 lb

Structure Notes:  
 1. PER ASTM C913 SPECIFICATIONS.  
 2. CONCRETE = 4,000 PSI AT 28 DAYS.  
 3. NO STEPS AND NO INVERT CHANNEL.  
 4. HATCH SUPPLIED BY ICAST (HALLIDAY W1S 36"x60").

REINFORCING PER ASTM A615 (GRADE 60).  
 - TOP SLAB (As .62) #5 BARS AT 6" C.C.E.W.  
 - WALLS (As .12) #5 BARS AT 12" C.C.E.W.  
 - FLOOR (As .12) #5 BARS AT 12" C.C.E.W.

Rim: 5.167' Rim to Invert: 4' Slack: 0" Sump: 14" Step Position:

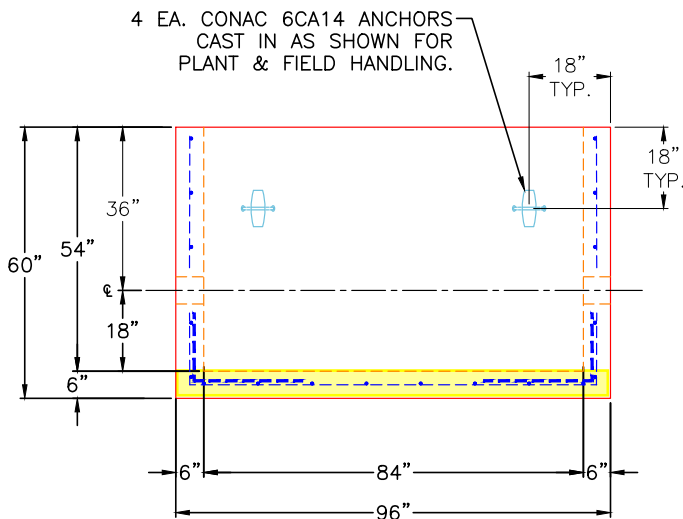


**PLAN VIEW**

GENERAL NOTES:

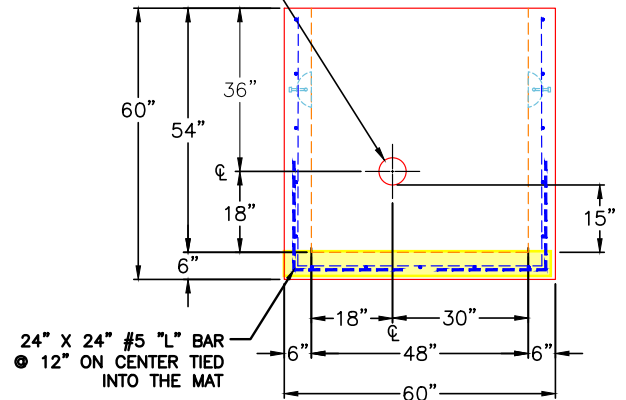
1. MANUFACTURED TO ASTM C-913 (LATEST REVISION).
2. CONCRETE: 4,000 PSI AT 28 DAYS.
3. REINFORCING: #5 BAR @ 12" E.W. O.C. (GRADE 60).
4. WEIGHT:  
 FIRST POUR - 2,900 LBS.  
 SECOND POUR - 7,830 LBS.  
 TOTAL - 10,730 LBS.

**FIRST POUR DRAWING**



**FRONT VIEW**

6" HOLE FOR 2" DIA. PIPE UP 15" FROM TOP OF FLOOR TO BTM OF HOLE NEAR WALL AND FAR WALL



**RIGHT VIEW**

Coating (Int):  
 Coating (Ext):

Seam Up: Flat  
 Seam Dn: n/a

Wall Thickness: 6"  
 Floor Height: 6"

Height (Int): 54"  
 Height (Ext): 60"

Weight (Net): 10702 lb  
 Volume (Net): 2.73cu.yd

Job Name: 24-4171 - McKinney Water District Contract 1B Phase 2  
 Job Location: Stanford, KY  
 Contractor: Frederick and May Construction

Plant: 100  
 5/5/2026 8:17:40 PM

Tech: Jared - F  
 PC: E. Bradley



**Structure ID: METER VAULT - 8**

**P1 BX4884-06BAVF-FLAT**

**BOX BASE 6inW, 6inF, Variable Ht F/n**

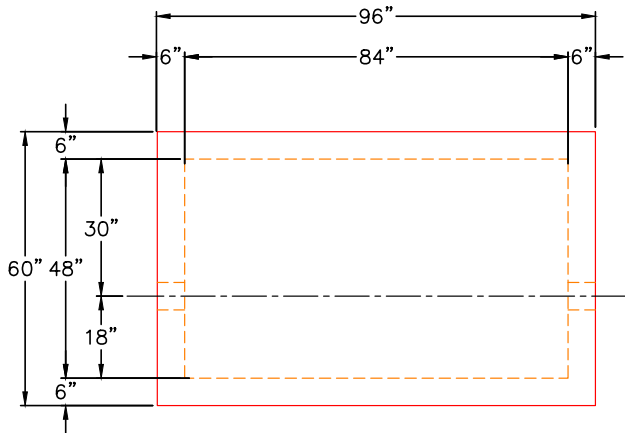
- P3) 36" x 60" - HATCH (CAST FLUSH) - 3"
- P2) 48" x 84" - CB FLAT TOP 6"W w/36"x60" HATCH F/F - 8"
- P1) 48" x 84" - BOX BASE 6inW, 6inF, Variable Ht F/n - 54"
- 1) HATCH (Alum.) - HALLIDAY W1S 36"x60"
- 1) 48" x 84" - Conseal CS-102 1.00" (Double)
- 1) 36" x 60" - Conseal CS-102 1.00" (Double)
- 2) Hole - 6

100 lb  
 2417 lb  
 10702 lb  
 116 lb  
 0 lb  
 0 lb  
 0 lb  
 -----  
 Structure Total: 13334 lb

**Structure Notes:**  
 1. PER ASTM C913 SPECIFICATIONS.  
 2. CONCRETE = 4,000 PSI AT 28 DAYS.  
 3. NO STEPS AND NO INVERT CHANNEL.  
 4. HATCH SUPPLIED BY ICAST (HALLIDAY W1S 36"x60").

REINFORCING PER ASTM A615 (GRADE 60).  
 - TOP SLAB (As .62) #5 BARS AT 6" C.C.E.W.  
 - WALLS (As .12) #5 BARS AT 12" C.C.E.W.  
 - FLOOR (As .12) #5 BARS AT 12" C.C.E.W.

Rim: 5.167' Rim to Invert: 4' Slack: 0" Sump: 14" Step Position:

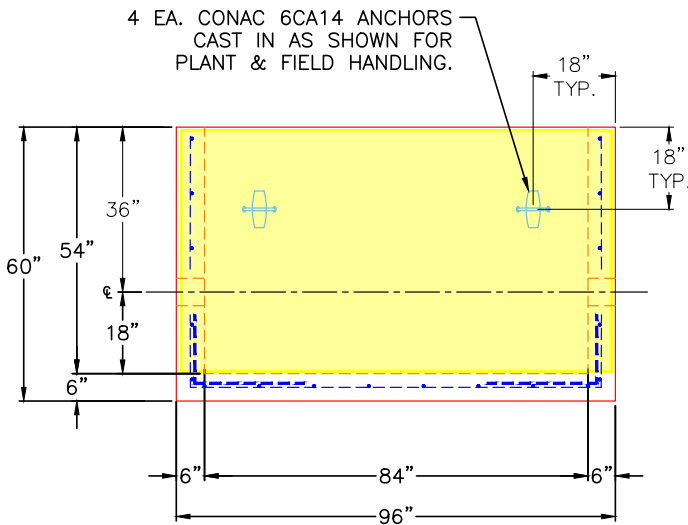


**PLAN VIEW**

**GENERAL NOTES:**

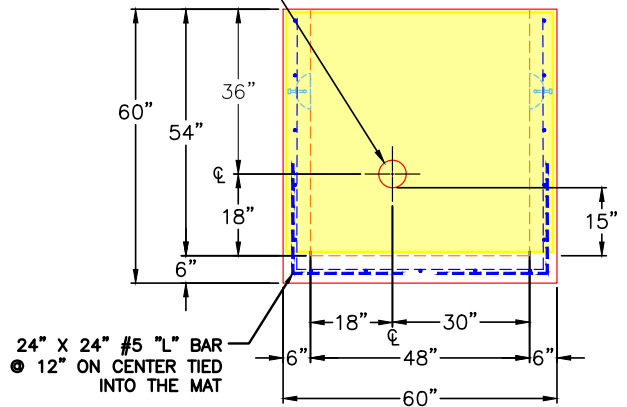
1. MANUFACTURED TO ASTM C-913 (LATEST REVISION).
2. CONCRETE: 4,000 PSI AT 28 DAYS.
3. REINFORCING: #5 BAR @ 12" E.W. O.C. (GRADE 60).
4. WEIGHT:  
 FIRST POUR - 2,900 LBS.  
 SECOND POUR - 7,830 LBS.  
 TOTAL - 10,730 LBS.

**SECOND POUR DRAWING**



**FRONT VIEW**

6" HOLE FOR 2" DIA. PIPE UP 15" FROM TOP OF FLOOR TO BTM OF HOLE NEAR WALL AND FAR WALL



**RIGHT VIEW**

Coating (Int):  
 Coating (Ext):

Seam Up: Flat  
 Seam Dn: n/a

Wall Thickness: 6"  
 Floor Height: 6"

Height (Int): 54"  
 Height (Ext): 60"

Weight (Net): 10702 lb  
 Volume (Net): 2.73cu.yd