

Job Name: 25-2422 - Woodland Springs Section 3 (Sanitary)  
 Job Location: Clarksville, TN  
 Contractor: Byard Construction, LLC

Plant: 100

Tech: Jared - A

5/14/2026 2:16:55 PM

PC: A. Chambers



**Structure ID: A-5**

**P2 MH048RS72SCDR**

**MH RISER SPECIAL w/ConBlock-CDA Red T/G**

- P5) 24" - CASTING HEIGHT - 6"
- P4) 24" - GRADE RING w/ConBlock-CDA Red F/F - 3"
- P3) 48" - ECC CONE w/ 24" HOLE, w/ConBlock-CDA Red F/G - 42"
- P2) 48" - MH RISER SPECIAL w/ConBlock-CDA Red T/G - 72"
- P1) 48" - MH BASE w/ConBlock-CDA Red T/n - 36"
- 1) 48" - MH INVERT CHANNEL w/ConBlock-CDA Red - FULL HEIGHT
- 1) JOINT WRAP - 0.065"x6"x50' CONSEAL CS212
- 1) JOINT WRAP PRIMER - CONSEAL CS-75 (1 gal.)
- 1) ADMIXTURE CONBLOCK CDA RED
- 1) CASTING - JBS 1155 F/C SANITARY
- 2) 48" - Conseal CS-102 1.00" (Double)
- 2) 24" - Conseal CS-102 1.00" (Double)
- 2) PSX - 12-08 NYLO
- 1) PSX - 8QRS DD
- 13) MH Step ML-10-TDS-NCR - 10"

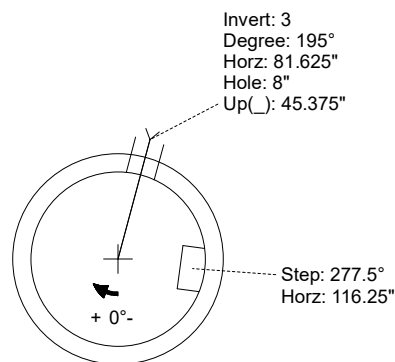
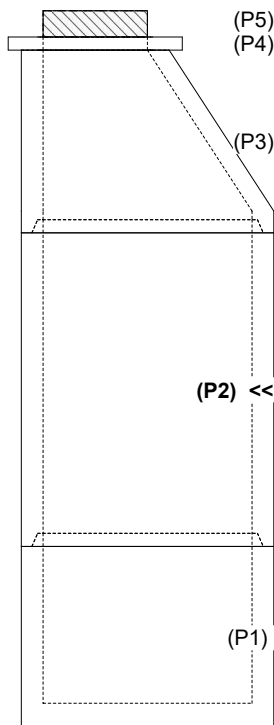
0 lb  
 202 lb  
 3116 lb  
 5009 lb  
 3749 lb  
 1440 lb  
 0 lb  
 0 lb  
 0 lb  
 250 lb  
 0 lb  
 0 lb  
 16 lb  
 6 lb  
 0 lb  
 -----  
 Structure Total: 13789 lb

- Structure Notes:
1. PER ASTM C-478 SPECIFICATIONS
  2. CONCRETE: 4,000 PSI AT 28 DAYS
  3. REINFORCEMENT: PER ASTM A615
  4. CONBLOCK CDA RED ADMIXTURE REQUIRED
  5. STEPS AT 277.5 DEGREES
  6. JBS 1155 FRAME & COVER "SANITARY" SUPPLIED BY ICAST
  7. INTERNAL DROP ASSEMBLY AT INVERT 3 BY OTHERS

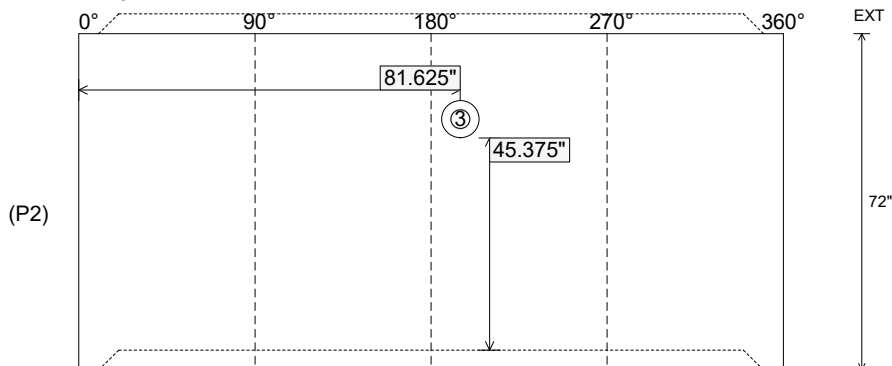
Rim: 429.84' Rim to Invert: 13.14' Slack: 0.68" Sump: 2" Step Position: 277.5°

Position	Elev	Angle	Ext. (cw)	Pipe	Pipe OD	Connector	Hole	Horz Size	Up ( )	Offset
Invert 1										
Invert 2										
Invert 3	423.84'	195°	98.75"	4" PVC SDR35	4.25"	PSX 8QRS DD	8"	8.038"	45.375"	0"
Invert 4										
Invert 5										
Invert 6										
Invert 7										
Invert 8										

**RIGHT-SIDE UP VIEW (int. dimensions)**



**INSIDE WALL DIMENSIONS**



Coating (Int):  
 Coating (Ext):

Seam Up: Tongue  
 Seam Dn: Groove

Wall Thickness: 5"  
 Floor Height: 0"

Height (Int): 72"  
 Height (Ext): 72"

Weight (Net): 5009 lb  
 Volume (Net): 1.28cu.yd