

Job Name: 26-1228 - L&N Federal Credit Union
 Job Location: Louisville, KY 40243
 Contractor: H & W Landworks

Plant: 100
 5/6/2026 12:05:52 PM

Tech: Jared - A
 PC: T. Lewis



Structure ID: S-6-7 CB1

P2 MH048LD12S

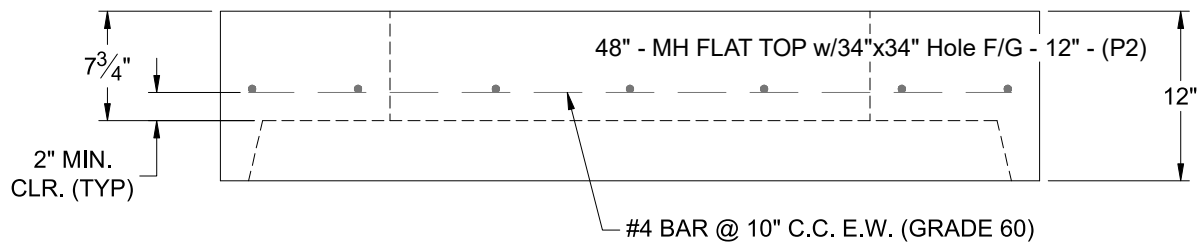
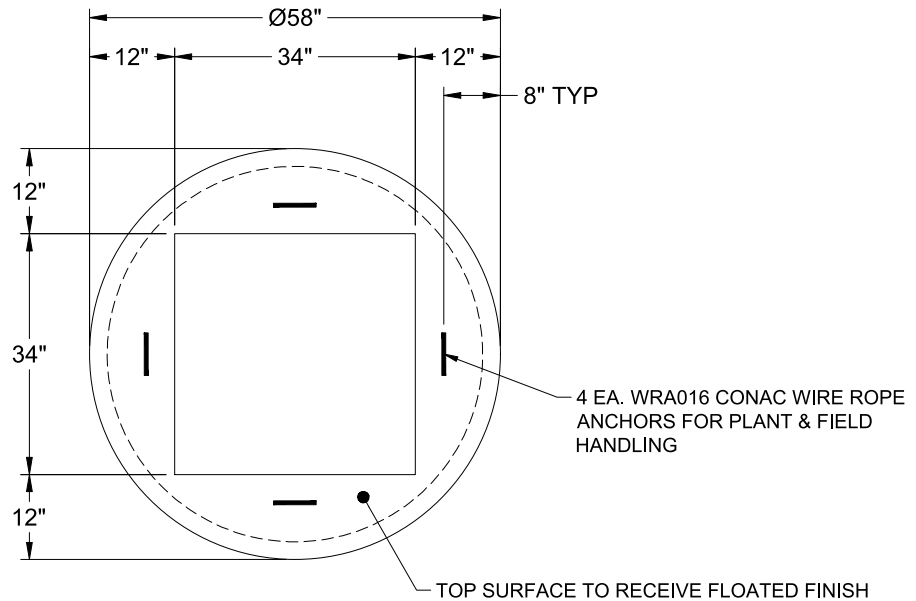
MH FLAT TOP w/34"x34" Hole F/G

- P3) 34" x 34" - CASTING HEIGHT - 3"
- P2) 48" - MH FLAT TOP w/34"x34" Hole F/G - 12"
- P1) 48" - MH BASE T/n - 36"
- 1) CASTING - HOE 595 F/G
- 1) 48" - Conseal CS-102 1.00"
- 2) Hole - 18
- 3) MH Step ML-10-TDS-NCR - 10"

0 lb
 1194 lb
 3627 lb
 376 lb
 0 lb
 0 lb
 0 lb

 0 lb
 Structure Total: 5197 lb

- Structure Notes:**
1. PER LOUISVILLE MSD / ASTM C-478 SPECS
 2. CONCRETE: 4,000 PSI AT 28 DAYS
 3. REINFORCEMENT: #4 BAR @ 10" C.C. E.W. (GRADE 60) - 2" MIN. REBAR CLEARANCE (TYP)
 4. HOE 595 FRAME & GRATES SUPPLIED BY ICAST
 5. LIFTERS: 4 EA. WRA016 CONAC WIRE ROPE ANCHORS FOR PLANT & FIELD HANDLING
 6. TOP SURFACE TO RECEIVE FLOATED FINISH



Coating (Int): Coating (Ext):	Seam Up: Flat Seam Dn: Groove	Wall Thickness: 5"	Height (Ext): 12"	Weight (Net): 1194 lb Volume (Net): 0.3cu.yd
----------------------------------	----------------------------------	--------------------	-------------------	---