

Job Name: 26-1577 - Elkhorn Elementary Redesign  
 Job Location: Frankfort, KY 40601  
 Contractor: Louisville Paving and Construction

Plant: 100

5/5/2026 1:40:51 PM

Tech: Jared - A

PC: J. Jarvis



**Structure ID: MH503-3 ST-MH**

**P1 MH048BAVF**

**MH BASE Custom Ht F/n**

- P3) 24" - CASTING HEIGHT - 7"
- P2) 48" - MH FLAT TOP SPEC. HT. (6") w/24" ECC Hole F/F - 6"
- P1) 48" - MH BASE Custom Ht F/n - 26"
- 1) CASTING - HOE MC-350 F/C Storm
- 1) 48" - Conseal CS-102 1.00"
- 1) DOGHOUSE INVRTD - 30"x26"
- 1) DOGHOUSE INVRTD - 24"x26"
- 1) DOGHOUSE INVRTD - 20"x20"

0 lb  
 771 lb  
 2444 lb  
 305 lb  
 0 lb  
 0 lb  
 0 lb  
 0 lb  
 0 lb  
 Structure Total: 3520 lb

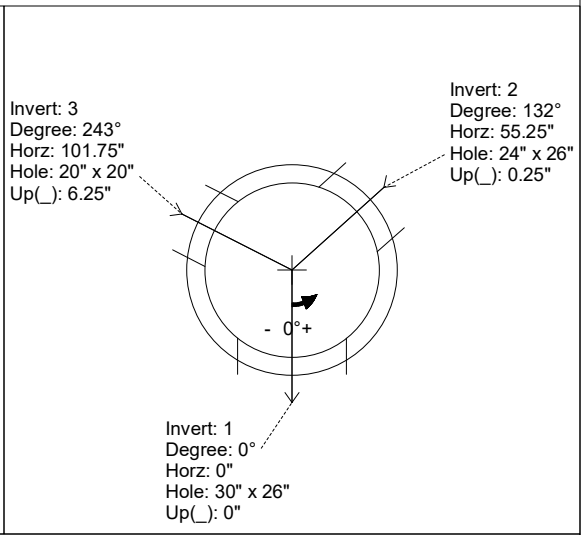
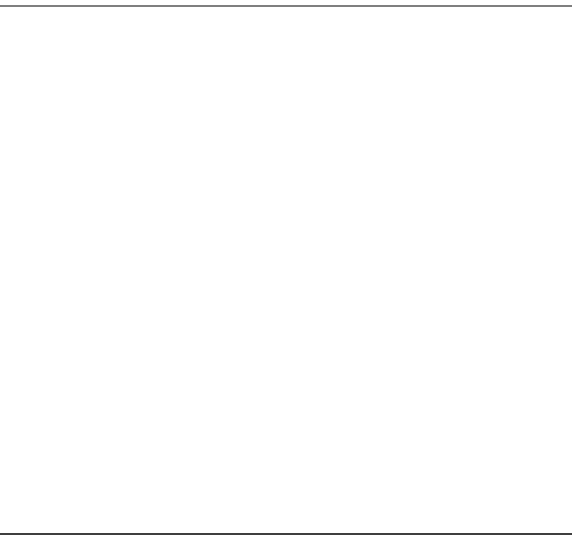
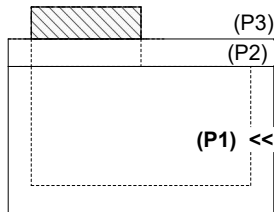
- Structure Notes:**
1. PER ASTM C-478 SPECIFICATIONS
  2. CONCRETE: 4,000 PSI AT 28 DAYS
  3. REINFORCEMENT: PER ASTM A615
  4. NO STORM INVERT
  5. NO STEPS
  6. HOE MC-350 FRAME & COVER "STORM" SUPPLIED BY ICAST
  7. CUSTOMER WILL BE RESPONSIBLE FOR NOTCHING TOP OF 24" HDPE TO FIT BELOW FLAT LID

Rim: 757.19' Rim to Invert: 3.16' Slack: 0.82" Sump: 1.9" Step Position:

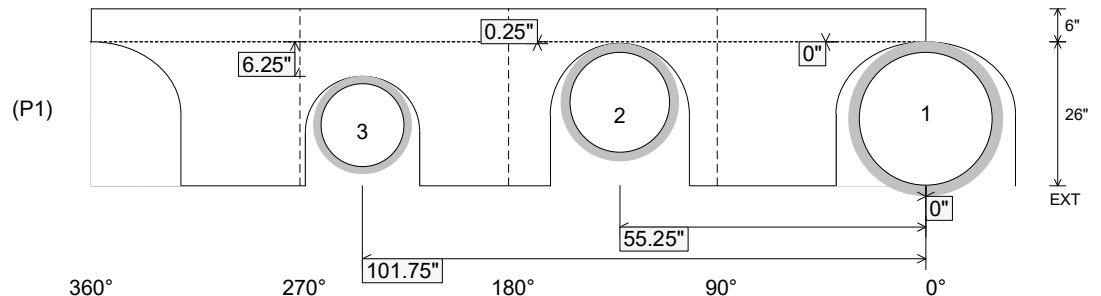
Position	Elev	Angle	Ext. (cw)	Pipe	Pipe OD	Connector	Hole	Horz Size	Up ( )	Offset
Invert 1	754.03'	0°	0"	24" HDPE	27.8"	DOGHOUSE INVRTD 30"x26"	30" x 26"	32.406"	0"	0"
Invert 2	754.03'	132°	66.75"	18" HDPE	21.2"	DOGHOUSE INVRTD 24"x26"	24" x 26"	25.133"	0.25"	0"
Invert 3	754.5'	243°	123"	15" HDPE	17.6"	DOGHOUSE INVRTD 20"x20"	20" x 20"	20.629"	6.25"	0"
Invert 4										
Invert 5										
Invert 6										
Invert 7										
Invert 8										

RIGHT-SIDE UP VIEW (int. dimensions)

UPSIDE-DOWN VIEW (int. dimensions)



INSIDE WALL DIMENSIONS



Coating (Int):  
 Coating (Ext):

Seam Up: Flat  
 Seam Dn: n/a

Wall Thickness: 5"  
 Floor Height: 6"

Height (Int): 26"  
 Height (Ext): 32"

Weight (Net): 2444 lb  
 Volume (Net): 0.62cu.yd