

Job Name: 26-1577 - Elkhorn Elementary Redesign  
 Job Location: Frankfort, KY 40601  
 Contractor: Louisville Paving and Construction

Plant: 100

5/5/2026 1:40:52 PM

Tech: Jared - A

PC: J. Jarvis



**Structure ID: MH3-5 SS-MH**

**P1 MH048BA36CDARED**

**MH BASE w/ConBlock-CDA Red T/n**

- P4) 24" - CASTING HEIGHT - 7"
- P3) 24" - GRADE RING w/ConBlock-CDA Red F/F - 4"
- P2) 48" - ECC CONE w/ 24" HOLE, w/ConBlock-CDA Red F/G - 24"
- P1) 48" - MH BASE w/ConBlock-CDA Red T/n - 36"
- 1) 48" - MH INVERT CHANNEL - FULL HEIGHT
- 1) JOINT WRAP - 12" WD x 048" MAC WRAP
- 1) ADMIXTURE CONBLOCK CDA RED
- 1) CASTING - HOE MC-350 F/C FSD
- 1) 48" - Conseal CS-102 1.00" (Double)
- 2) PSX - 12-08 NYLO

0 lb  
 270 lb  
 1738 lb  
 3749 lb  
 1440 lb  
 0 lb  
 0 lb  
 305 lb  
 0 lb  
 16 lb  
 -----  
 Structure Total: 7519 lb

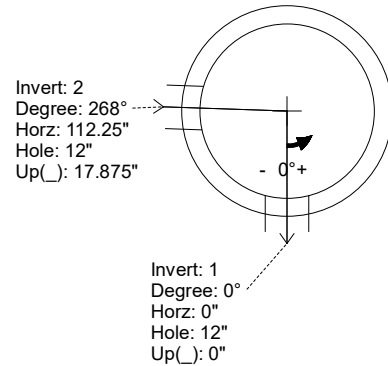
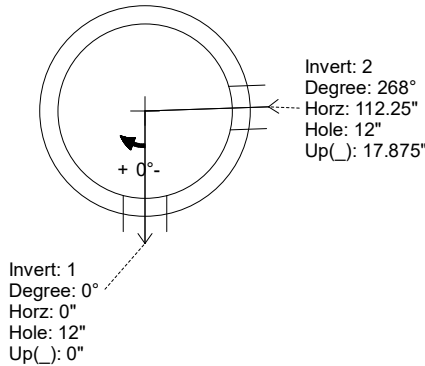
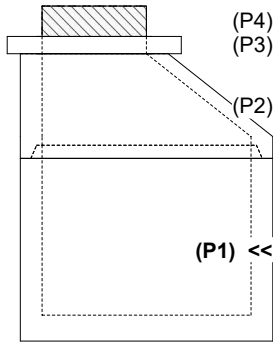
- Structure Notes:
1. PER ASTM C-478 SPECIFICATIONS
  2. CONCRETE: 4,000 PSI AT 28 DAYS
  3. REINFORCEMENT: PER ASTM A615
  4. INVERT CHANNEL REQUIRED
  5. CONBLOCK CDA RED ADMIXTURE REQUIRED
  6. NO STEPS
  7. HOE MC-350 FRAME & COVER "SANITARY FSD" SUPPLIED BY ICAST

Rim: 755.02' Rim to Invert: 5.87' Slack: 1.44" Sump: 2" Step Position:

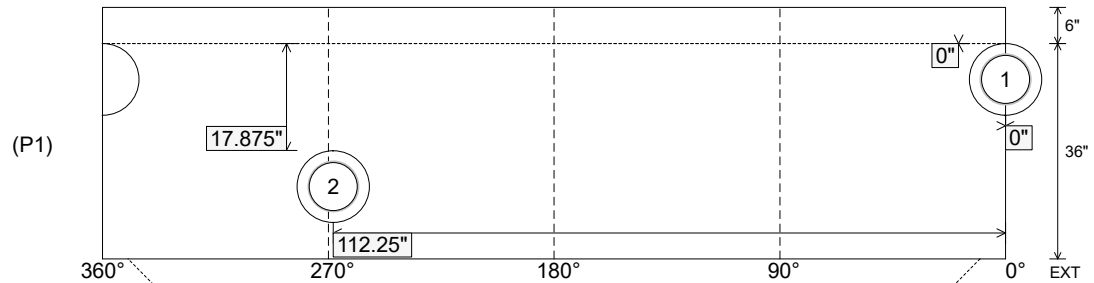
Position	Elev	Angle	Ext. (cw)	Pipe	Pipe OD	Connector	Hole	Horz Size	Up ( )	Offset
Invert 1	749.15'	0°	0"	8" PVC SDR35	8.5"	PSX 12-08 NYLO	12"	12.129"	0"	0"
Invert 2	750.64'	268°	135.625"	8" PVC SDR35	8.5"	PSX 12-08 NYLO	12"	12.129"	17.875"	0"
Invert 3										
Invert 4										
Invert 5										
Invert 6										
Invert 7										
Invert 8										

RIGHT-SIDE UP VIEW (int. dimensions)

UPSIDE-DOWN VIEW (int. dimensions)



INSIDE WALL DIMENSIONS



Coating (Int):  
 Coating (Ext):

Seam Up: Tongue  
 Seam Dn: n/a

Wall Thickness: 5"  
 Floor Height: 6"

Height (Int): 36"  
 Height (Ext): 42"

Weight (Net): 3749 lb  
 Volume (Net): 0.96cu.yd

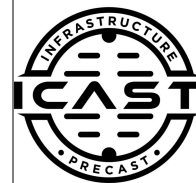
Job Name: 26-1577 - Elkhorn Elementary Redesign  
 Job Location: Frankfort, KY 40601  
 Contractor: Louisville Paving and Construction

Plant: 100

5/5/2026 1:40:52 PM

Tech: Jared - A

PC: J. Jarvis



**Structure ID: MH3-5 SS-MH**

**P1 MH048BA36CDARED**

**MH BASE w/ConBlock-CDA Red T/n**

- P4) 24" - CASTING HEIGHT - 7"
- P3) 24" - GRADE RING w/ConBlock-CDA Red F/F - 4"
- P2) 48" - ECC CONE w/ 24" HOLE, w/ConBlock-CDA Red F/G - 24"
- P1) 48" - MH BASE w/ConBlock-CDA Red T/n - 36"
- 1) 48" - MH INVERT CHANNEL - FULL HEIGHT
- 1) JOINT WRAP - 12" WD x 048" MAC WRAP
- 1) ADMIXTURE CONBLOCK CDA RED
- 1) CASTING - HOE MC-350 F/C FSD
- 1) 48" - Conseal CS-102 1.00" (Double)
- 2) PSX - 12-08 NYLO

0 lb  
 270 lb  
 1738 lb  
 3749 lb  
 1440 lb  
 0 lb  
 0 lb  
 305 lb  
 0 lb  
 16 lb  
 -----  
 Structure Total: 7519 lb

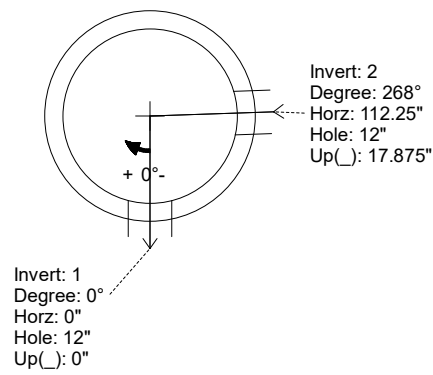
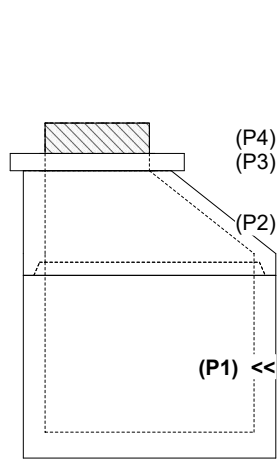
- Structure Notes:
1. PER ASTM C-478 SPECIFICATIONS
  2. CONCRETE: 4,000 PSI AT 28 DAYS
  3. REINFORCEMENT: PER ASTM A615
  4. INVERT CHANNEL REQUIRED
  5. CONBLOCK CDA RED ADMIXTURE REQUIRED
  6. NO STEPS
  7. HOE MC-350 FRAME & COVER "SANITARY FSD" SUPPLIED BY ICAST

Rim: 755.02' Rim to Invert: 5.87' Slack: 1.44" Sump: 2" Step Position:

Position	Elev	Angle	Ext. (cw)	Pipe	Pipe OD	Connector	Hole	Horz Size	Up ( )	Offset
Invert 1	749.15'	0°	0"	8" PVC SDR35	8.5"	PSX 12-08 NYLO	12"	12.129"	0"	0"
Invert 2	750.64'	268°	135.625"	8" PVC SDR35	8.5"	PSX 12-08 NYLO	12"	12.129"	17.875"	0"
Invert 3										
Invert 4										
Invert 5										
Invert 6										
Invert 7										
Invert 8										

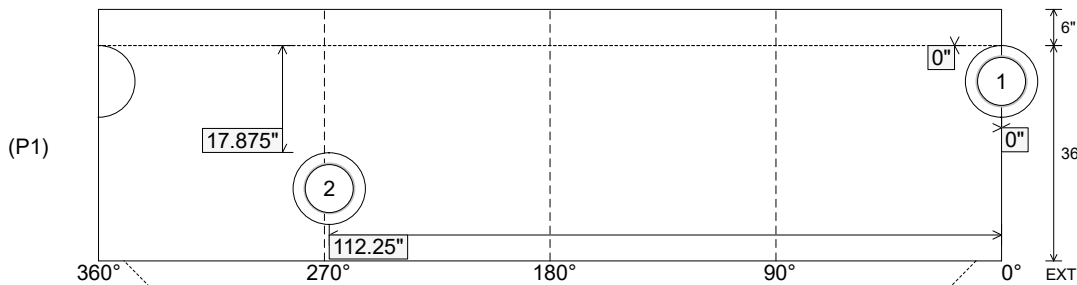
RIGHT-SIDE UP VIEW (int. dimensions)

UPSIDE-DOWN VIEW (int. dimenions)



**INVERT CHANNEL DRAWING**

INSIDE WALL DIMENSIONS



Coating (Int):  
 Coating (Ext):

Seam Up: Tongue  
 Seam Dn: n/a

Wall Thickness: 5"  
 Floor Height: 6"

Height (Int): 36"  
 Height (Ext): 42"

Weight (Net): 3749 lb  
 Volume (Net): 0.96cu.yd