

Job Name: 26-1368 Freeman Lake Park Parking Lot Project	Plant: Beaver Dam	Tech: S. Felletter	
Job Location: Elizabethtown, KY Contractor: Kauffeld Brothers Construction	5/29/2026 8:39:18 AM	PC: T. Ryan	

Structure ID: JB #2-7 JBB

P2 BX2430-08R42

BOX RISER 8inW F/G

P4) CASTING (cast in) - 0	0 lb
P3) 24" x 30" - BX FLAT LID 8inW SPEC. (KY JB-B1) F/F - 8"	931 lb
P2) 24" x 30" - BOX RISER 8inW F/G - 42"	3676 lb
P1) 24" x 30" - BOX BASE 8inW, 8inF, Variable Ht T/n - 28"	3510 lb
1) CASTING - HOE KY-206 F/C (KY TY1)	206 lb
1) This Structure Includes a Cast-in Item	0 lb
2) 24" x 30" - Conseal CS-102 1.00"	0 lb
1) 24" - Conseal CS-102 1.00"	0 lb
1) Hole - 26	0 lb
1) DOGHOUSE INVRTD - 24"x24"	0 lb
Structure Total:	8324 lb

Structure Notes:

1. KYTC JUNCTION BOX B1 / PER ASTM C913 SPEC'S.
2. CONCRETE = 4,000 PSI AT 28 DAYS.
3. TOP SLAB w KYTC TYPE 1 F/C CAST FLUSH.
4. CASTING BY ICAST (HOE KY-206 F/C). CAST-IN.

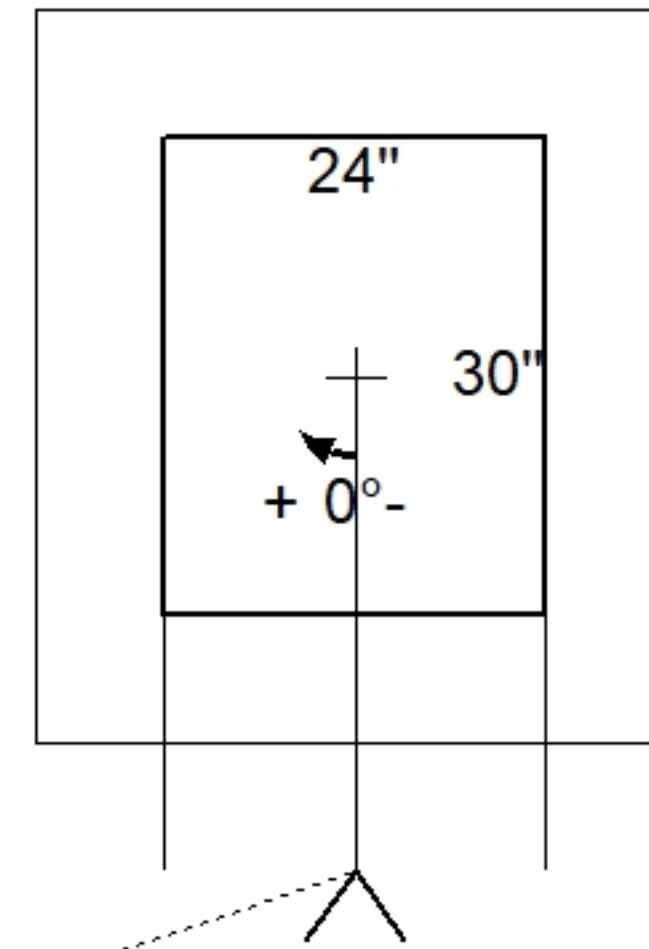
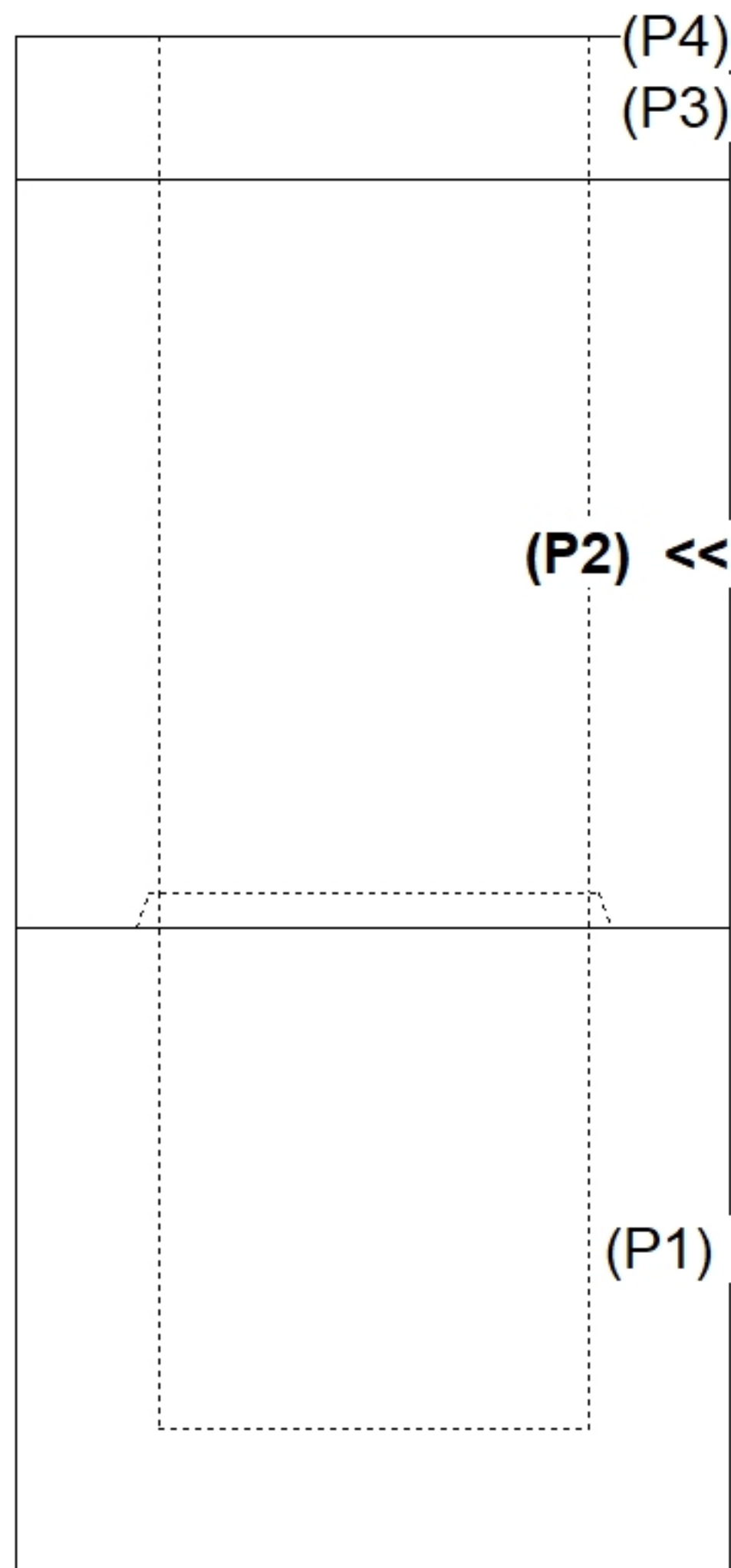
REINFORCING PER ASTM A615 (GRADE 60).

- TOP SLAB (As .62) #5 BARS AT 6" C.C.E.W.
- WALLS (As .31) #5 BARS AT 12" C.C.E.W.
- FLOOR (As .31) #5 BARS AT 12" C.C.E.W.

Rim: 773.5' Rim to Invert: 6.5' Slack: 0" Sump: 0" Step Position:

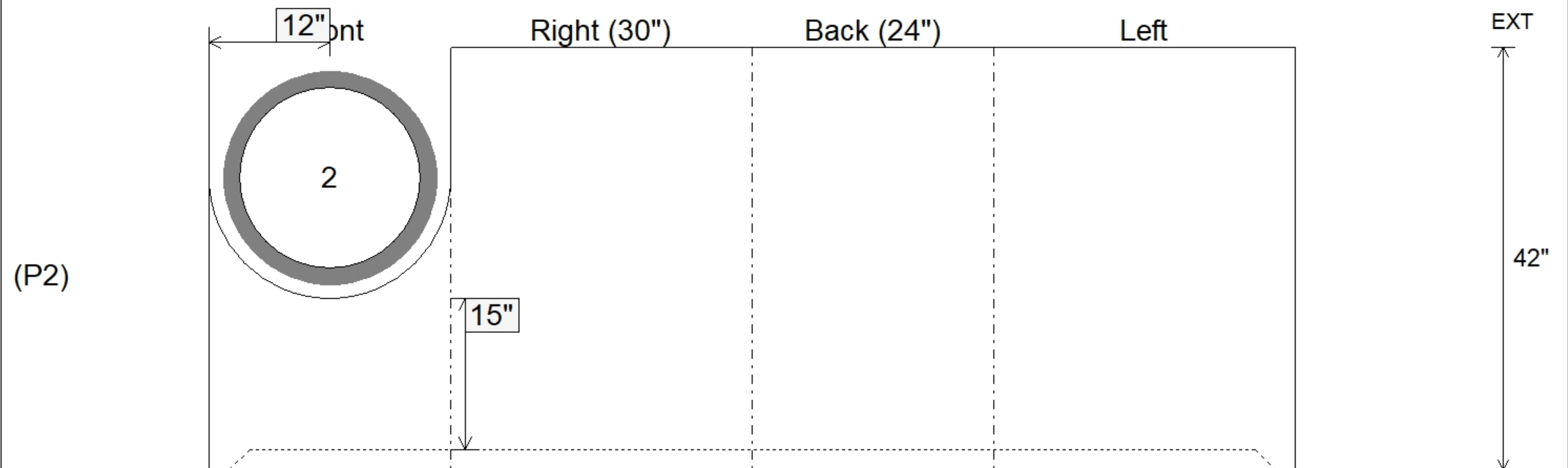
Position	Elev	Angle	Ext. (cw)	Pipe	Pipe OD	Connector	Hole	Horz Size	Up (⌋)	Offset
Invert 1										
Invert 2	771'	0°	20"	18" HDPE	21.2"	DOGHOUSE INVRTD 24"x24"	24" x 24"	24"	15"	0"
Invert 3										
Invert 4										
Invert 5										
Invert 6										
Invert 7										
Invert 8										

RIGHT-SIDE UP VIEW (int. dimensions)



Invert: 2
Degree: 0°
Horz: 12"
Hole: 24" x 24"
Up(⌋): 15"

INSIDE WALL DIMENSIONS



Coating (Int):	Seam Up: Flat	Wall Thickness: 8"	Height (Int): 42"	Weight (Net): 3676 lb
Coating (Ext):	Seam Dn: Groove	Floor Height: 0"	Height (Ext): 42"	Volume (Net): 0.94cu.yd