

Structure ID: CI #4-5 CBIF

P1 BX2424-08BAVF

BOX BASE 8inW, 8inF, Variable Ht T/n

P3) 24" x 24" - CASTING HEIGHT - 5" P2) 24" x 24" - BOX RISER 8inW F/G - 30" P1) 24" x 24" - BOX BASE 8inW, 8inF, Variable Ht T/n - 37" 1) CASTING - HOE KY-465 SET (CBI TY F) 2) 24" x 24" - Conseal CS-102 1.00" 1) Hole - 20	0 lb 2578 lb 4029 lb 465 lb 0 lb 0 lb ----- Structure Total: 7072 lb
--	---

Structure Notes:
 1. KYTC CBI TYPE F / ASTM C913 SPECIFICATIONS.
 2. CONCRETE = 4,000 PSI AT 28 DAYS.
 3. CASTING BY ICAST (HOE KY-465 SET)

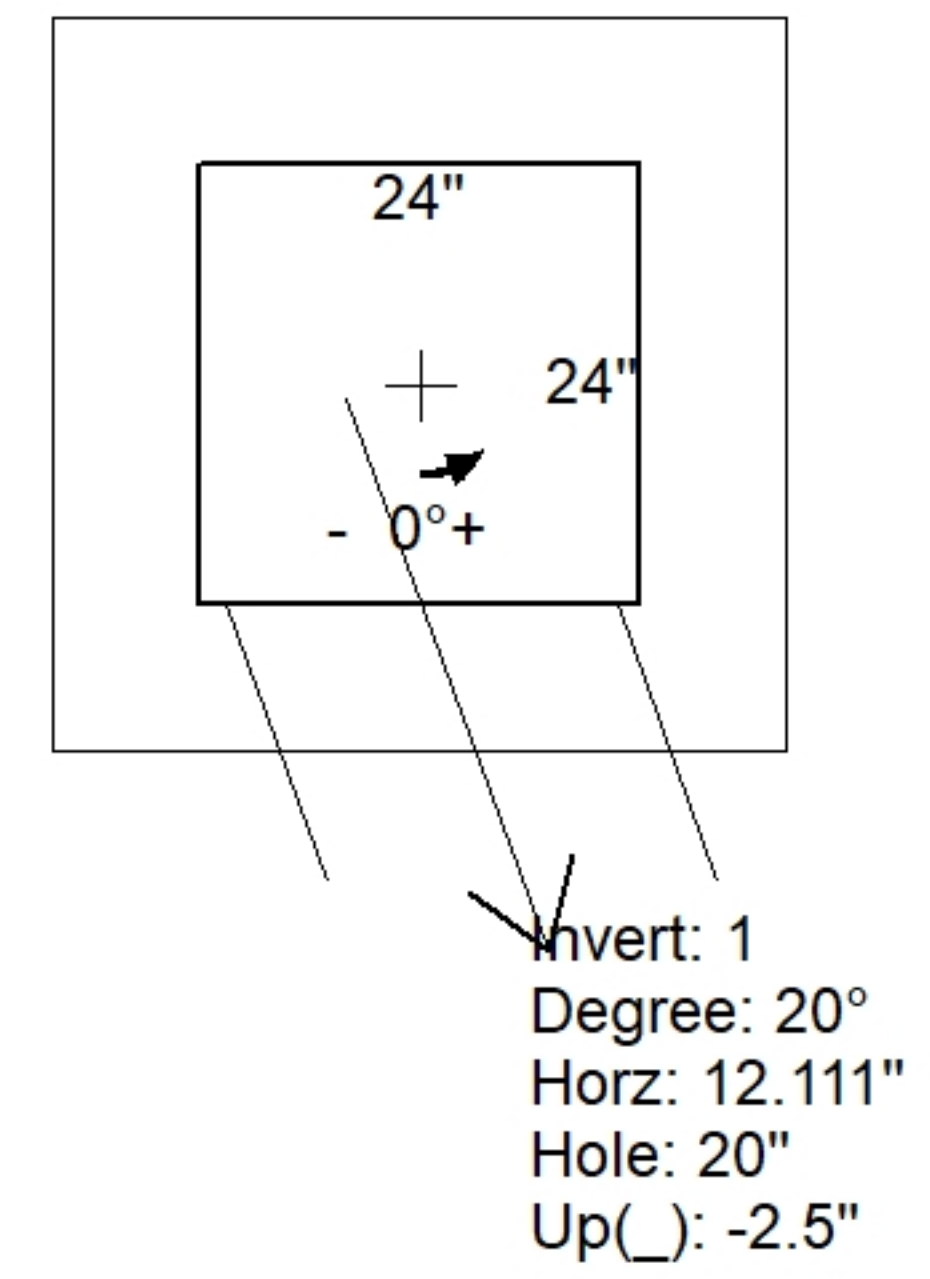
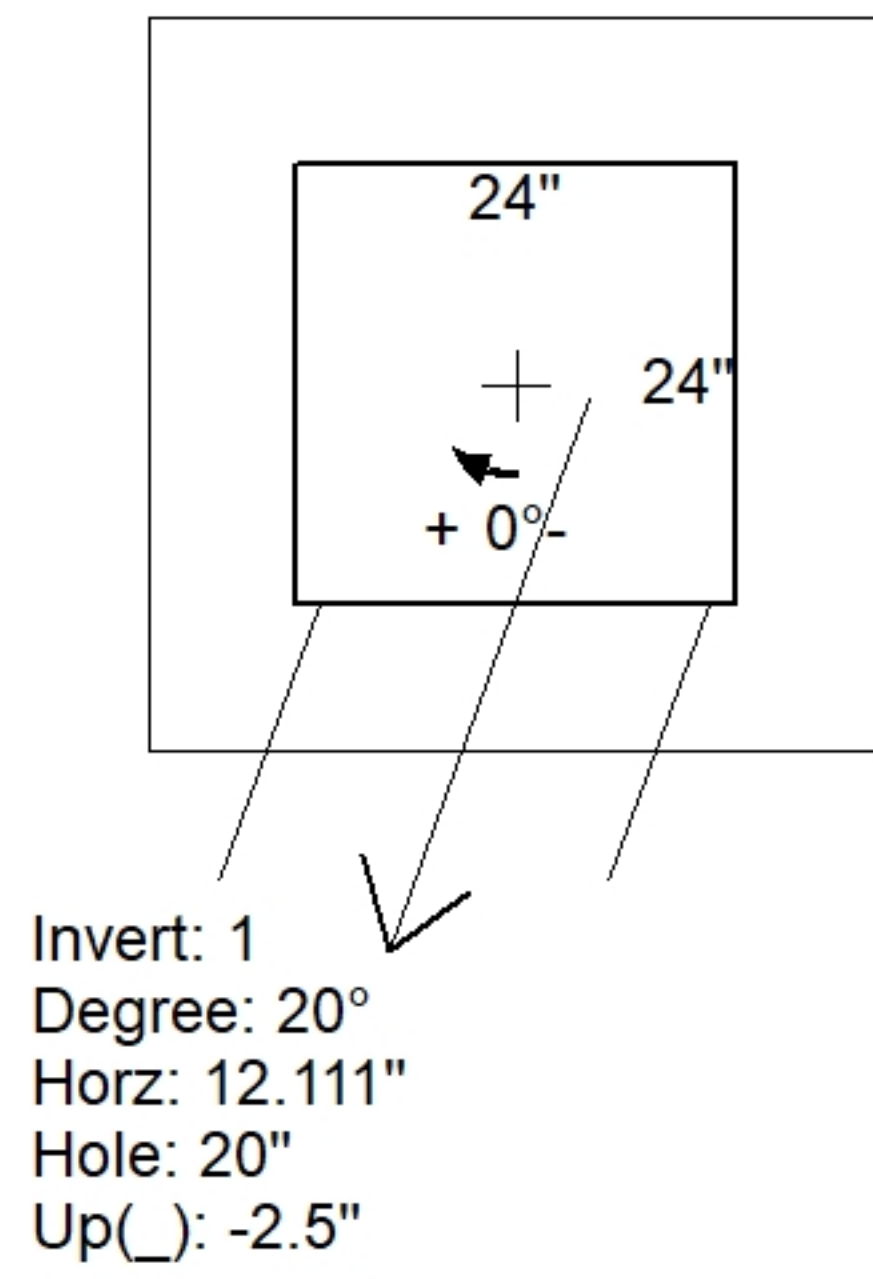
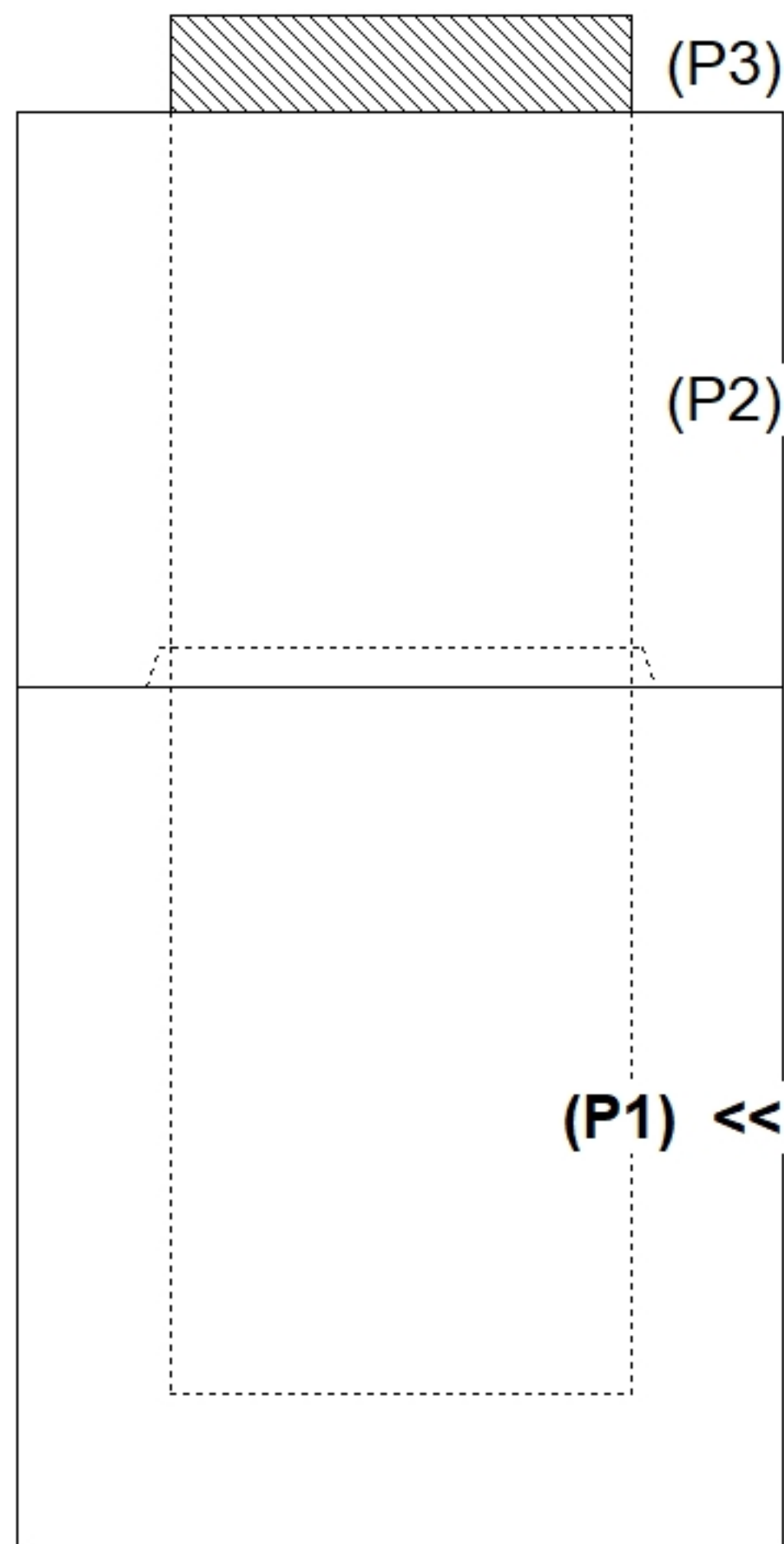
REINFORCING PER ASTM A615 (GRADE 60).
 - WALLS (As .31) #5 BARS AT 12" C.C.E.W.
 - FLOOR (As .31) #5 BARS AT 12" C.C.E.W.

Rim: 772.25' Rim to Invert: 6' Slack: 0" Sump: 0" Step Position:

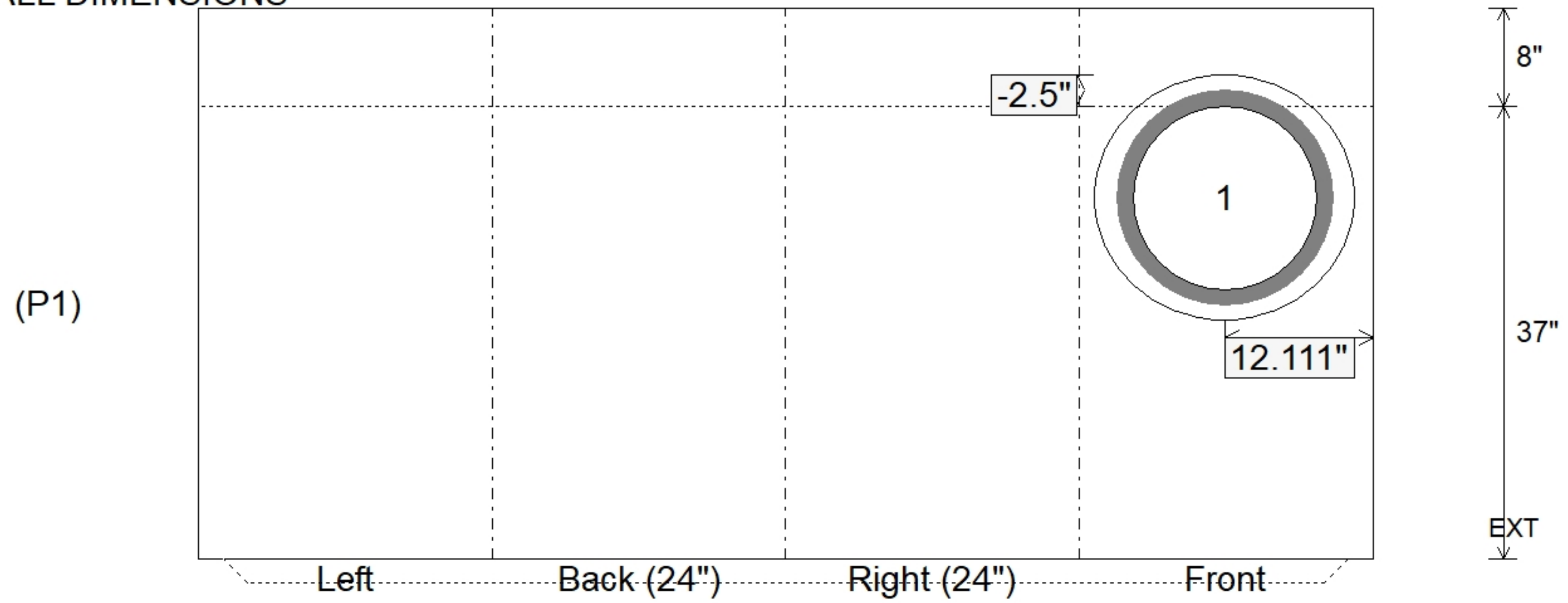
Position	Elev	Angle	Ext. (cw)	Pipe	Pipe OD	Connector	Hole	Horz Size	Up ()	Offset
Invert 1	766.25'	20°	23.023"	15" HDPE	17.6"	Hole 20	20"	21.284"	-2.5"	-4"
Invert 2										
Invert 3										
Invert 4										
Invert 5										
Invert 6										
Invert 7										
Invert 8										

RIGHT-SIDE UP VIEW (int. dimensions)

UPSIDE-DOWN VIEW (int. dimensions)



INSIDE WALL DIMENSIONS



Coating (Int): Coating (Ext):	Seam Up: Tongue Seam Dn: n/a	Wall Thickness: 8" Floor Height: 8"	Height (Int): 37" Height (Ext): 45"	Weight (Net): 4029 lb Volume (Net): 1.03cu.yd
----------------------------------	---------------------------------	--	--	--