

Job Name: 26-1368 Freeman Lake Park Parking Lot Project	Plant: Beaver Dam	Tech: S. Felletter	
Job Location: Elizabethtown, KY Contractor: Kauffeld Brothers Construction	5/29/2026 8:39:17 AM	PC: T. Ryan	

Structure ID: CI #2-3 CBIF

P2 BX2424-08R30

BOX RISER 8inW F/G

- P3) 24" x 24" - CASTING HEIGHT - 5"
- P2) 24" x 24" - BOX RISER 8inW F/G - 30"
- P1) 24" x 24" - BOX BASE 8inW, 8inF, Variable Ht T/n - 37"
- 1) CASTING - HOE KY-465 SET (CBI TY F)
- 2) 24" x 24" - Conseal CS-102 1.00"
- 1) Hole - 20

0 lb
 2578 lb
 4029 lb
 465 lb
 0 lb
 0 lb

 Structure Total: 7072 lb

Structure Notes:

1. KYTC CBI TYPE F / ASTM C913 SPECIFICATIONS.
2. CONCRETE = 4,000 PSI AT 28 DAYS.
3. CASTING BY ICAST (HOE KY-465 SET)

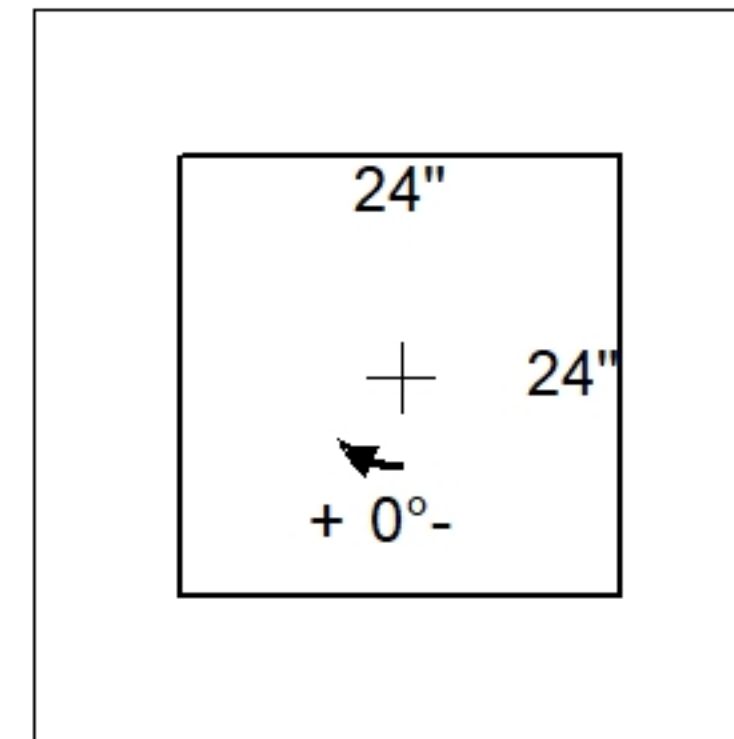
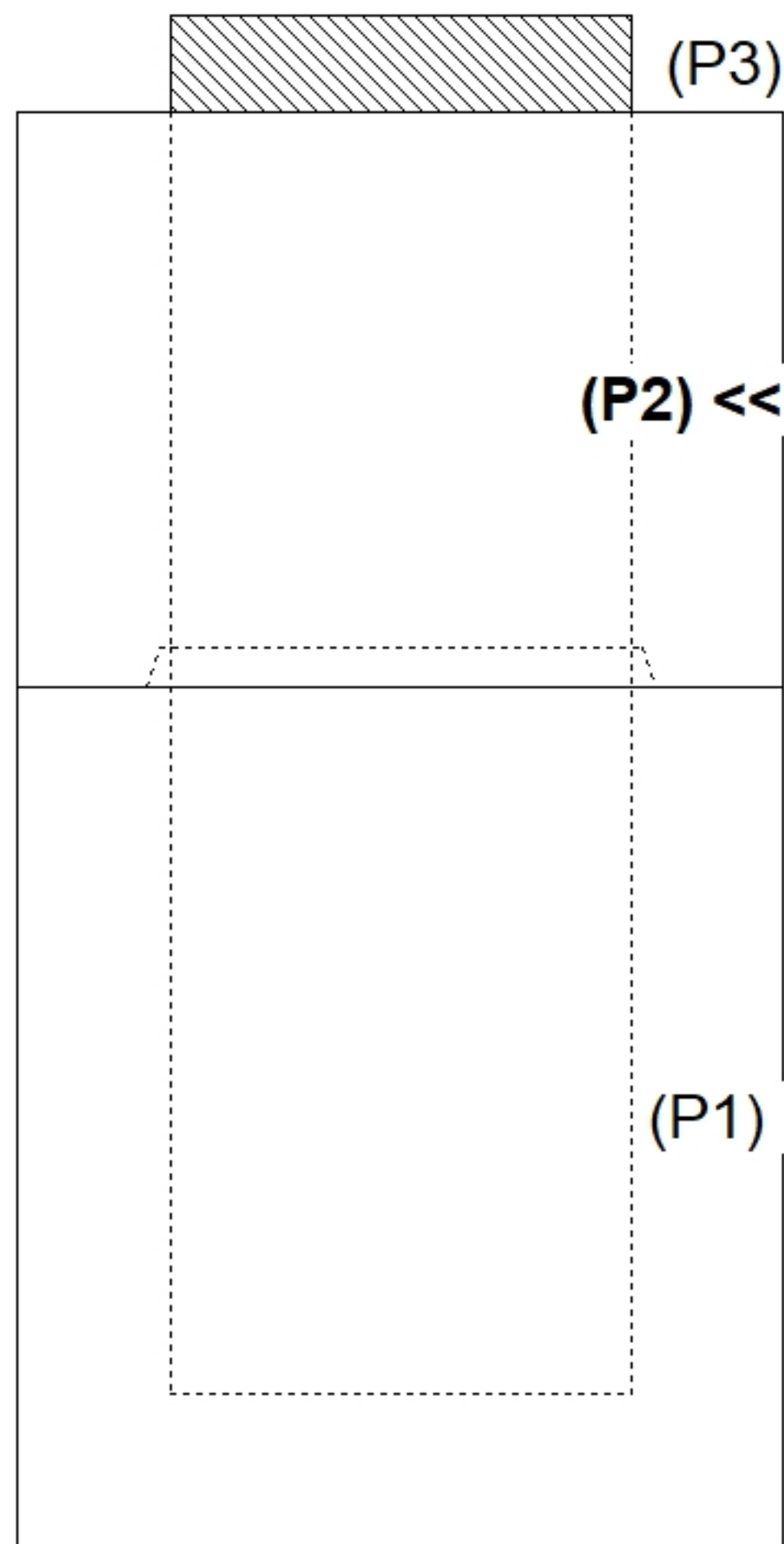
REINFORCING PER ASTM A615 (GRADE 60).

- WALLS (As .31) #5 BARS AT 12" C.C.E.W.
- FLOOR (As .31) #5 BARS AT 12" C.C.E.W.

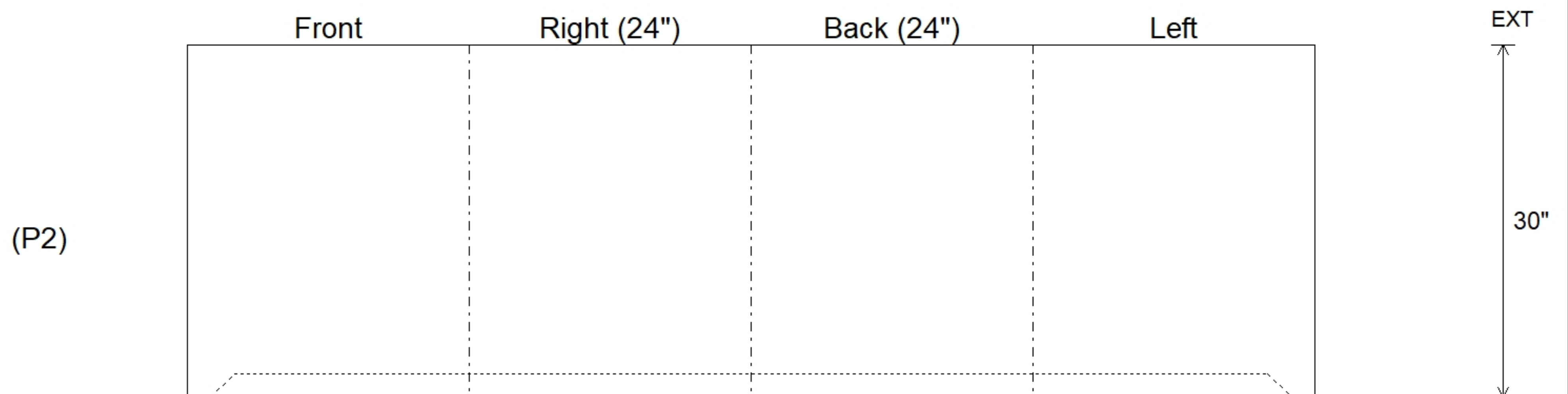
Rim: 766.6' Rim to Invert: 6' Slack: 0" Sump: 0" Step Position:

Position	Elev	Angle	Ext. (cw)	Pipe	Pipe OD	Connector	Hole	Horz Size	Up (L)	Offset
Invert 1										
Invert 2										
Invert 3										
Invert 4										
Invert 5										
Invert 6										
Invert 7										
Invert 8										

RIGHT-SIDE UP VIEW (int. dimensions)



INSIDE WALL DIMENSIONS



Coating (Int):	Seam Up: Flat	Wall Thickness: 8"	Height (Int): 30"	Weight (Net): 2578 lb
Coating (Ext):	Seam Dn: Groove	Floor Height: 0"	Height (Ext): 30"	Volume (Net): 0.66cu.yd