

Job Name: 25-4726 Omega Fitness

Plant: Beaver Dam

T. Level



Job Location: Newbern, TN

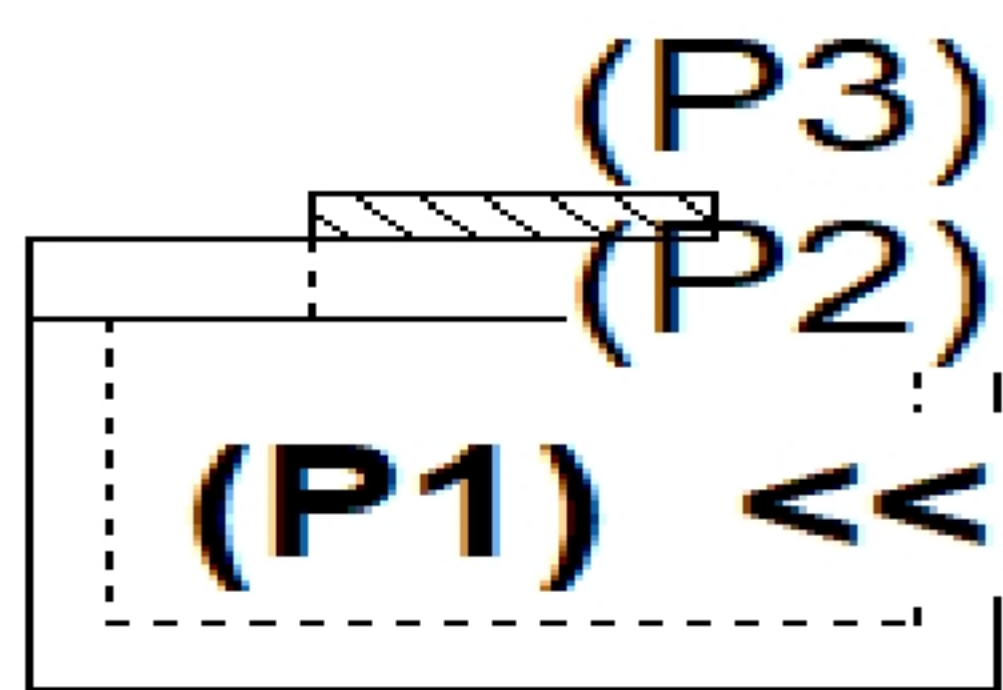
Structure ID: DS-4

Manufacturer: BAVP MH BASE Custom Ht F/n

- P3) 24" CASTING HEIGHT - 470 lb
- P2) 48" - MH FLAT TOP w/ 24" Center Hole - 700 lb
- P1) 48" - MH BASE Custom Ht F/n 252 lb
- 1) CASTING - JBS 1072 F/C STORAGE 150 lb
- 1) 48" - Conseal CS-102 1.00" 0 lb
- 1) 24" - Conseal CS-102 1.00" 0 lb

Structure Notes:
 1. PER ASTM C478 SPECIFICATIONS.
 2. CONCRETE = 4,000 PSI AT 28

Position	Elev	Angle	Invert Stack (ft)	Structure Total	Weight (lb)	Connectors	Hole	Horz Size	Up (")	Offset
Invert 1	325.6'	0°	0"	18" ADS N-12	22	Hole 24	24"	25.133"	0"	0"
Invert 2	325.7'	195°	98.698'	18" ADS N-12	22	Hole 24	24"	25.133"	1.2"	0"
Invert 3										
Invert 4										
Invert 5										
Invert 6										
Invert 7										
Invert 8										



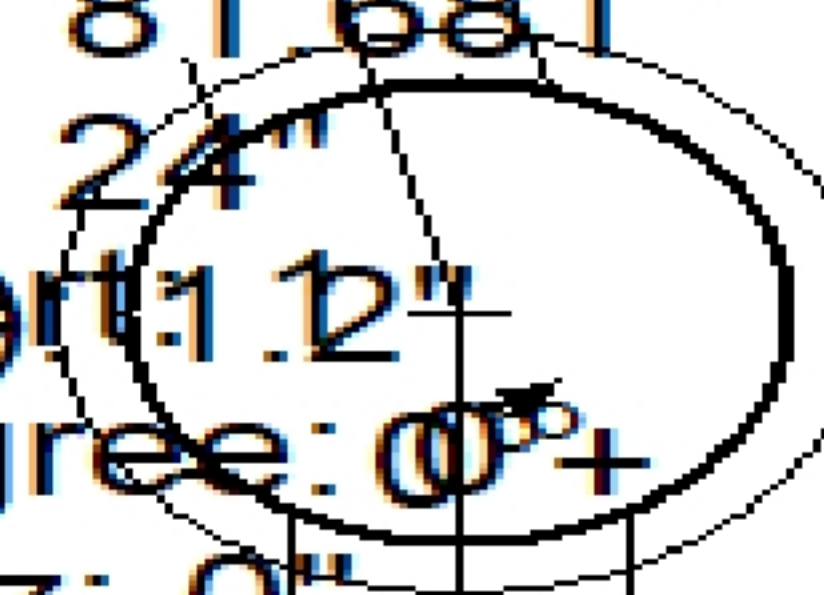
RIGHT-SIDE UP

Invert: 2
 Degree: 195°
 Horz: 81.681"
 Hole: 24"
 Invert Up(_): 1.2"
 Degree: 0°
 Horz: 0"
 Hole: 24"
 Up(_): 0"

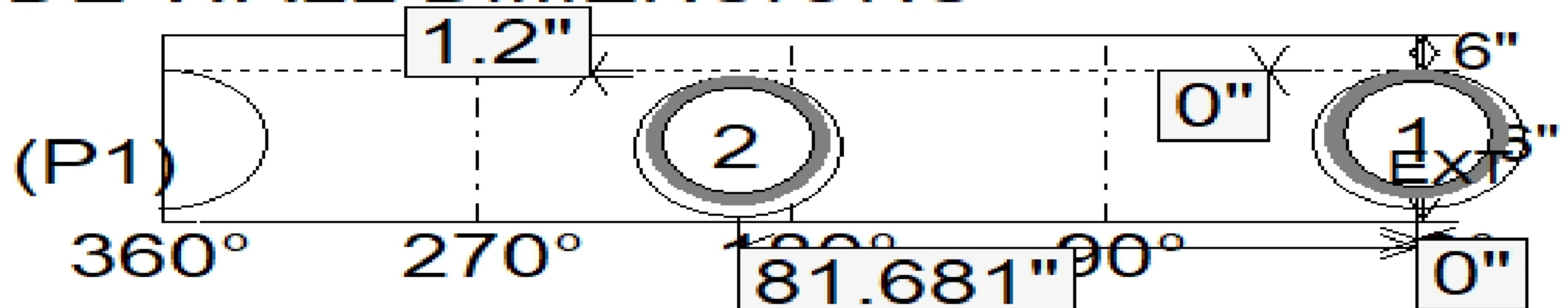


UPSIDE-DOWN

Invert: 2
 Degree: 195°
 Horz: 81.681"
 Hole: 24"
 Invert Up(_): 1.2"
 Degree: 0°
 Horz: 0"
 Hole: 24"
 Up(_): 0"



INSIDE WALL DIMENSIONS



Coating (Int):

Seam Up: Flat Height 5' Weight 6' (Net)

Coating (Ext):

Seam Dn: Floor Height 6' Weight 8' (Net)