

Job Name: 23-2404 Hampton Hills (Phase 1)  
 Job Location: Richmond, KY  
 Contractor: Seven Earthmovers LLC

Plant: 100

5/19/2026 12:59:26 PM

Tech: J. Horsley

PC: C. Golf



**Structure ID: SSMH AA-3**

**P1 MH048BAVF**

**MH BASE Custom Ht T/n**

P4) 24" - CASTING HEIGHT - 7"	0 lb
P3) 48" - ECC CONE w/ 24" HOLE F/G - 24"	1550 lb
P2) 48" - MH RISER T/G - 36"	2515 lb
P1) 48" - MH BASE Custom Ht T/n - 43"	4248 lb
1) 48" - MH INVERT CHANNEL - FULL HEIGHT	1440 lb
1) JOINT WRAP - 0.065"x6"x50' CONSEAL CS212	0 lb
1) JOINT WRAP PRIMER - CONSEAL CS-75 (1 gal.)	0 lb
1) CASTING - HOE MC-350 F/C Sanitary	305 lb
2) 48" - Conseal CS-102 1.00" (Double)	0 lb
1) Quik-Lok - QL-08-C	1 lb
1) PSX - 12-08 NYLO	8 lb
8) MH Step ML-10-TDS-NCR - 10"	0 lb
<b>Structure Total:</b>	<b>10067 lb</b>

Structure Notes:

1. PER ASTM C478 SPECIFICATIONS.
2. CONCRETE = 4,000 PSI AT 28 DAYS.
3. CASTING BY ICAST (HOE MC-350 F/C) SHIPPED LOOSE.

REINFORCING PER ASTM A615 (GRADE 60).

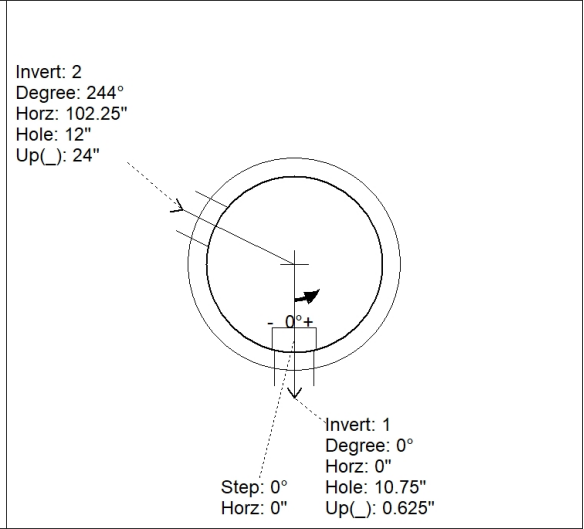
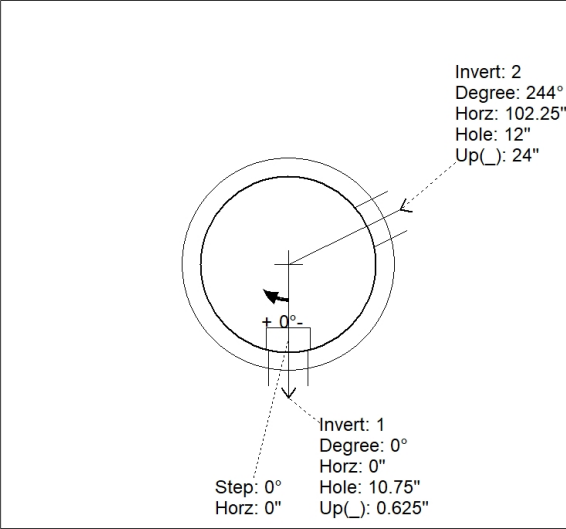
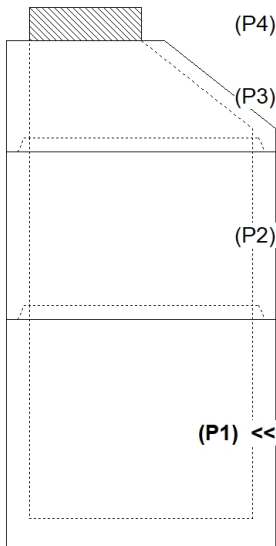
- CONE (As .12)
- RISER/WALLS (As .12)
- FLOOR (As .31) #5 BARS AT 12" C.C.E.W.

Rim: 878.45' Rim to Invert: 9' Slack: 0" Sump: 2" Step Position: 0°

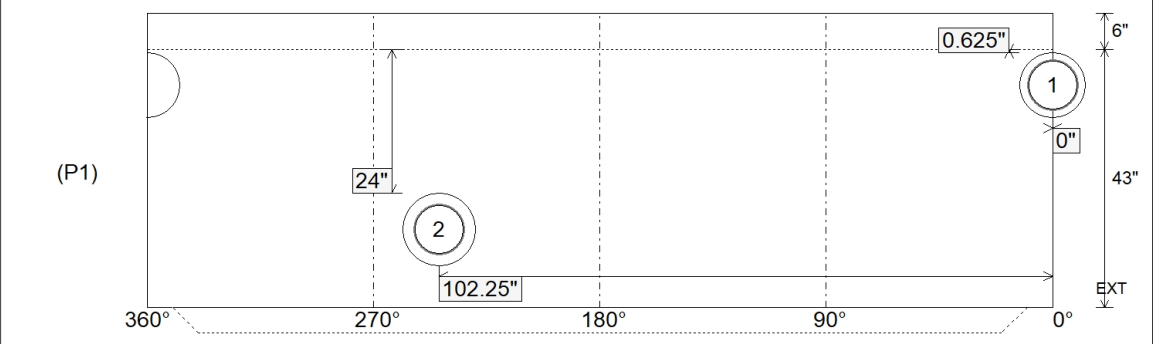
Position	Elev	Angle	Ext. (cw)	Pipe	Pipe OD	Connector	Hole	Horz Size	Up ( )	Offset
Invert 1	869.45'	0°	0"	8" PVC SDR35	8.5"	Quik-Lok QL-08-C	10.75"	10.842"	0.625"	0"
Invert 2	871.45'	244°	123.5"	8" PVC SDR35	8.5"	PSX 12-08 NYLO	12"	12.129"	24"	0"
Invert 3										
Invert 4										
Invert 5										
Invert 6										
Invert 7										
Invert 8										

RIGHT-SIDE UP VIEW (int. dimensions)

UPSIDE-DOWN VIEW (int. dimensions)



INSIDE WALL DIMENSIONS



Coating (Int): Coating (Ext):	Seam Up: Tongue Seam Dn: n/a	Wall Thickness: 5" Floor Height: 6"	Height (Int): 43" Height (Ext): 49"	Weight (Net): 4248 lb Volume (Net): 1.08cu.yd
----------------------------------	---------------------------------	--	--	--

Job Name: 23-2404 Hampton Hills (Phase 1)  
 Job Location: Richmond, KY  
 Contractor: Seven Earthmovers LLC

Plant: 100

5/19/2026 12:59:26 PM

Tech: J. Horsley

PC: C. Golf



**Structure ID: SSMH AA-3**

**P1A MH048BAVF**

**MH BASE Custom Ht T/n**

P4) 24" - CASTING HEIGHT - 7"	0 lb
P3) 48" - ECC CONE w/ 24" HOLE F/G - 24"	1550 lb
P2) 48" - MH RISER T/G - 36"	2515 lb
P1) 48" - MH BASE Custom Ht T/n - 43"	4248 lb
1) 48" - MH INVERT CHANNEL - FULL HEIGHT	1440 lb
1) JOINT WRAP - 0.065"x6"x50' CONSEAL CS212	0 lb
1) JOINT WRAP PRIMER - CONSEAL CS-75 (1 gal.)	0 lb
1) CASTING - HOE MC-350 F/C Sanitary	305 lb
2) 48" - Conseal CS-102 1.00" (Double)	0 lb
1) Quik-Lok - QL-08-C	1 lb
1) PSX - 12-08 NYLO	8 lb
8) MH Step ML-10-TDS-NCR - 10"	0 lb
<b>Structure Total:</b>	<b>10067 lb</b>

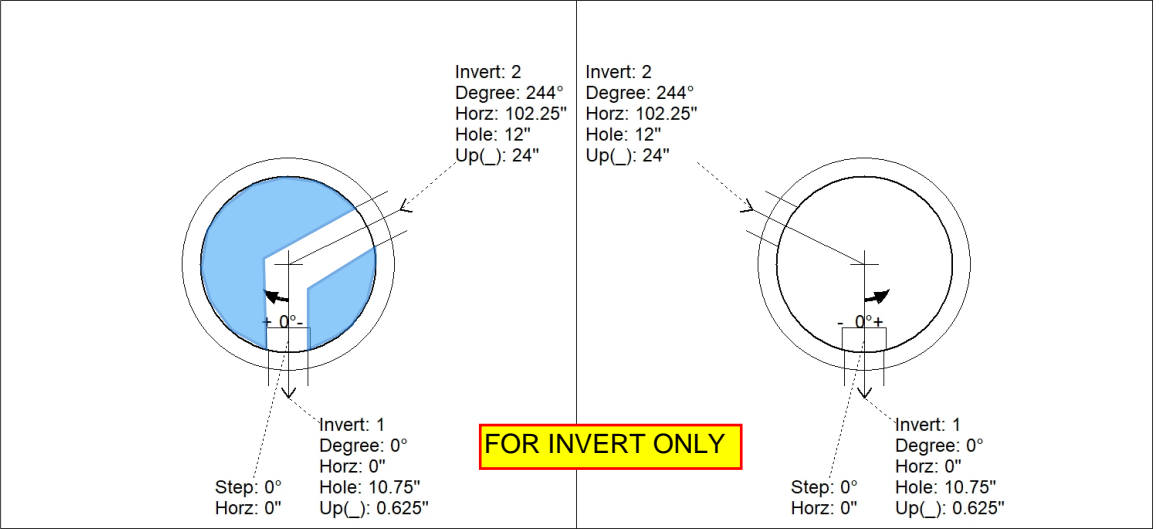
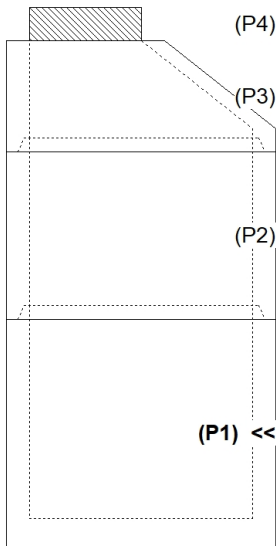
**Structure Notes:**  
 1. PER ASTM C478 SPECIFICATIONS.  
 2. CONCRETE = 4,000 PSI AT 28 DAYS.  
 3. CASTING BY ICAST (HOE MC-350 F/C) SHIPPED LOOSE.  
  
 REINFORCING PER ASTM A615 (GRADE 60).  
 - CONE (As .12)  
 - RISER/WALLS (As .12)  
 - FLOOR (As .31) #5 BARS AT 12" C.C.E.W.

Rim: 878.45' Rim to Invert: 9' Slack: 0" Sump: 2" Step Position: 0°

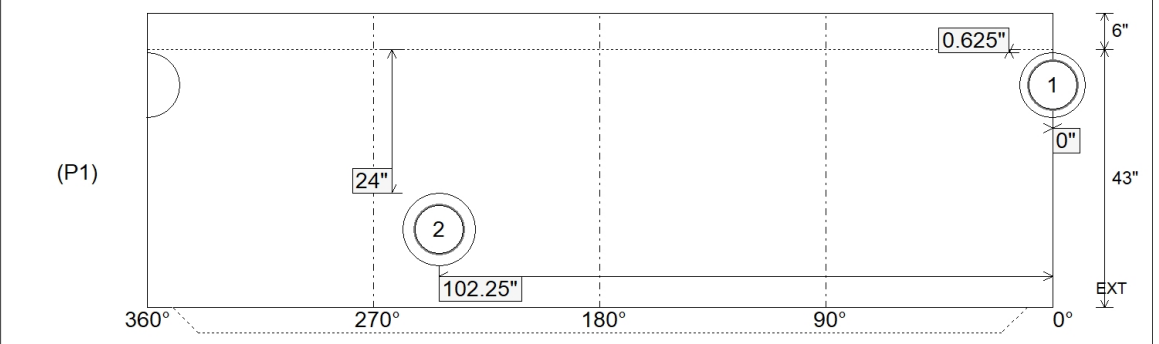
Position	Elev	Angle	Ext. (cw)	Pipe	Pipe OD	Connector	Hole	Horz Size	Up ( )	Offset
Invert 1	869.45'	0°	0"	8" PVC SDR35	8.5"	Quik-Lok QL-08-C	10.75"	10.842"	0.625"	0"
Invert 2	871.45'	244°	123.5"	8" PVC SDR35	8.5"	PSX 12-08 NYLO	12"	12.129"	24"	0"
Invert 3										
Invert 4										
Invert 5										
Invert 6										
Invert 7										
Invert 8										

RIGHT-SIDE UP VIEW (int. dimensions)

UPSIDE-DOWN VIEW (int. dimensions)



INSIDE WALL DIMENSIONS



Coating (Int): Coating (Ext):	Seam Up: Tongue Seam Dn: n/a	Wall Thickness: 5" Floor Height: 6"	Height (Int): 43" Height (Ext): 49"	Weight (Net): 4248 lb Volume (Net): 1.08cu.yd
----------------------------------	---------------------------------	--	--	--