

**Structure ID: CBI-C4**

**P1 BX2436-08BVF**

**BOX BASE 8inW, 8inF, Variable Ht T/n**

P3) 24" x 120" - CB INLET KY A 10' TOP RIGHT F/G - 10" P2) 24" x 120" - CB INLET KY A 10' BOTTOM RIGHT T/G - 18" P1) 24" x 36" - BOX BASE 8inW, 8inF, Variable Ht T/n - 23" 1) CASTING - HOE KY-206 F/C (KY CBI A) 1) 24" x 36" - Conseal CS-102 1.00" 2) Hole - 22	3398 lb 5270 lb 3233 lb 206 lb 0 lb 0 lb <hr style="width: 50px; margin-left: auto; margin-right: 0;"/> Structure Total: 12107 lb
--	---

**Structure Notes:**

1. PER KYTC CBI A / ASTM C913 SPEC'S.
2. CONCRETE = 4,000 PSI AT 28 DAYS.
3. CASTING (HOE KY-206) TO BE CAST INTO TOP PHASE.

REINFORCING PER ASTM A615 (GRADE 60).

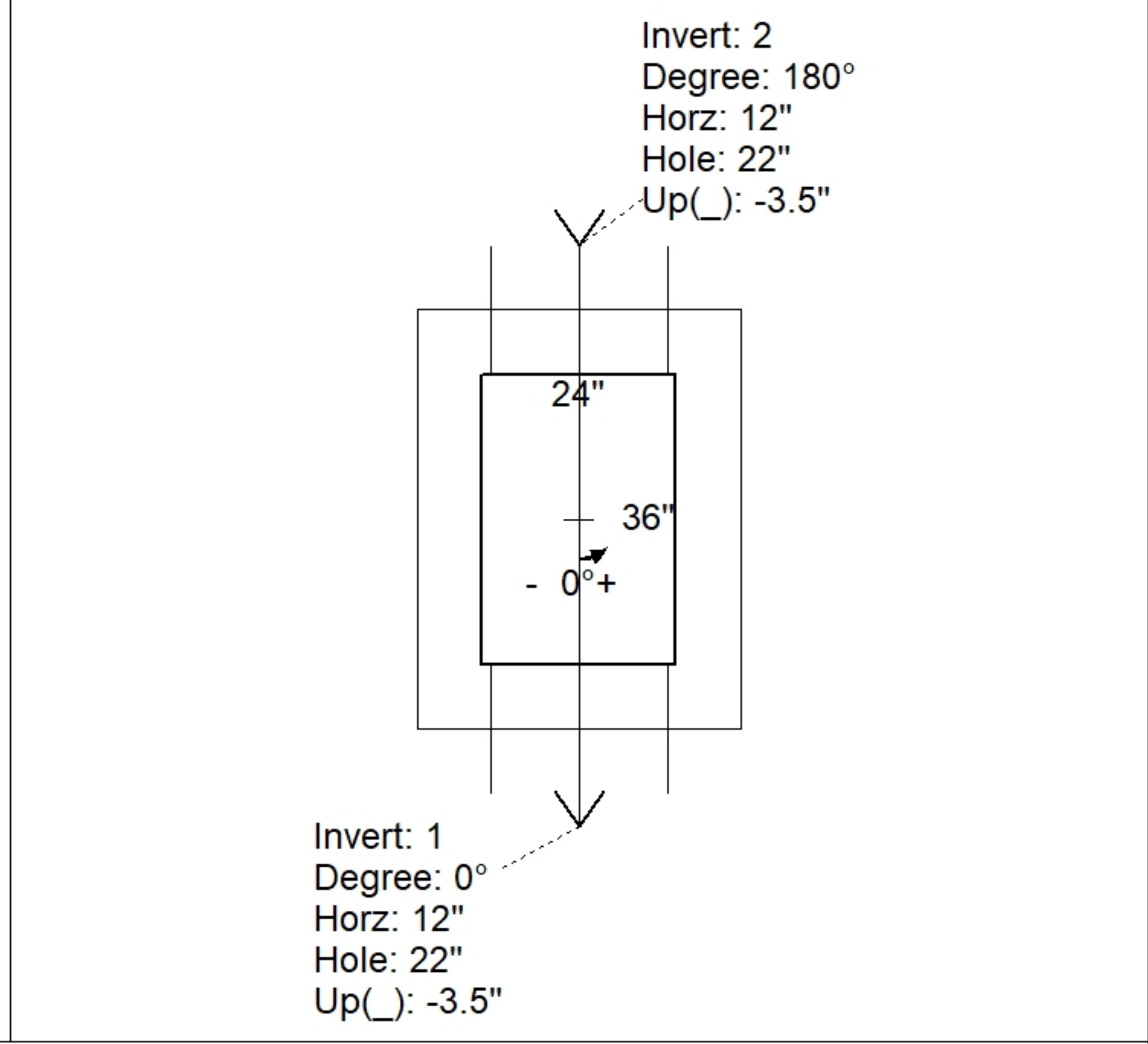
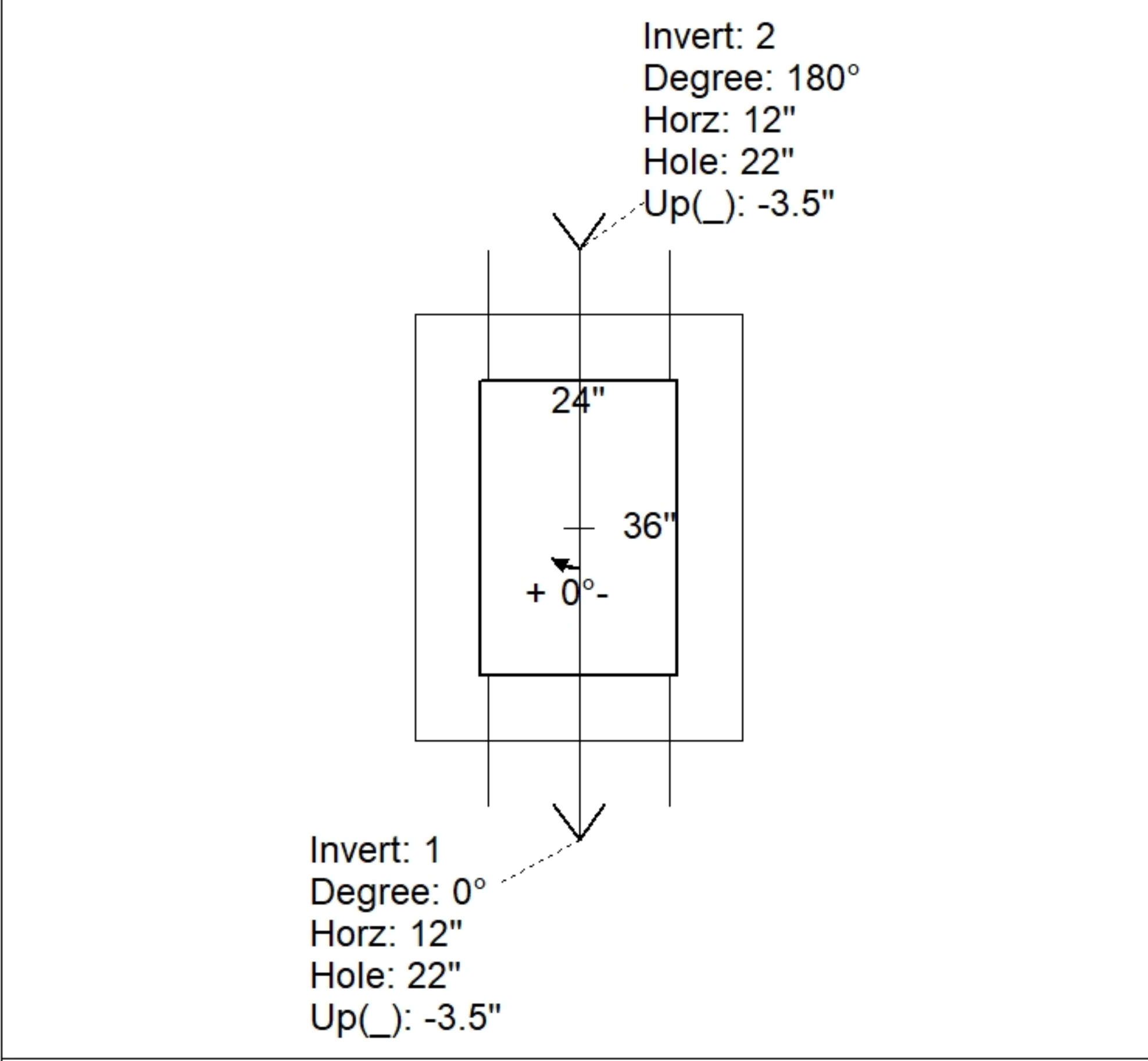
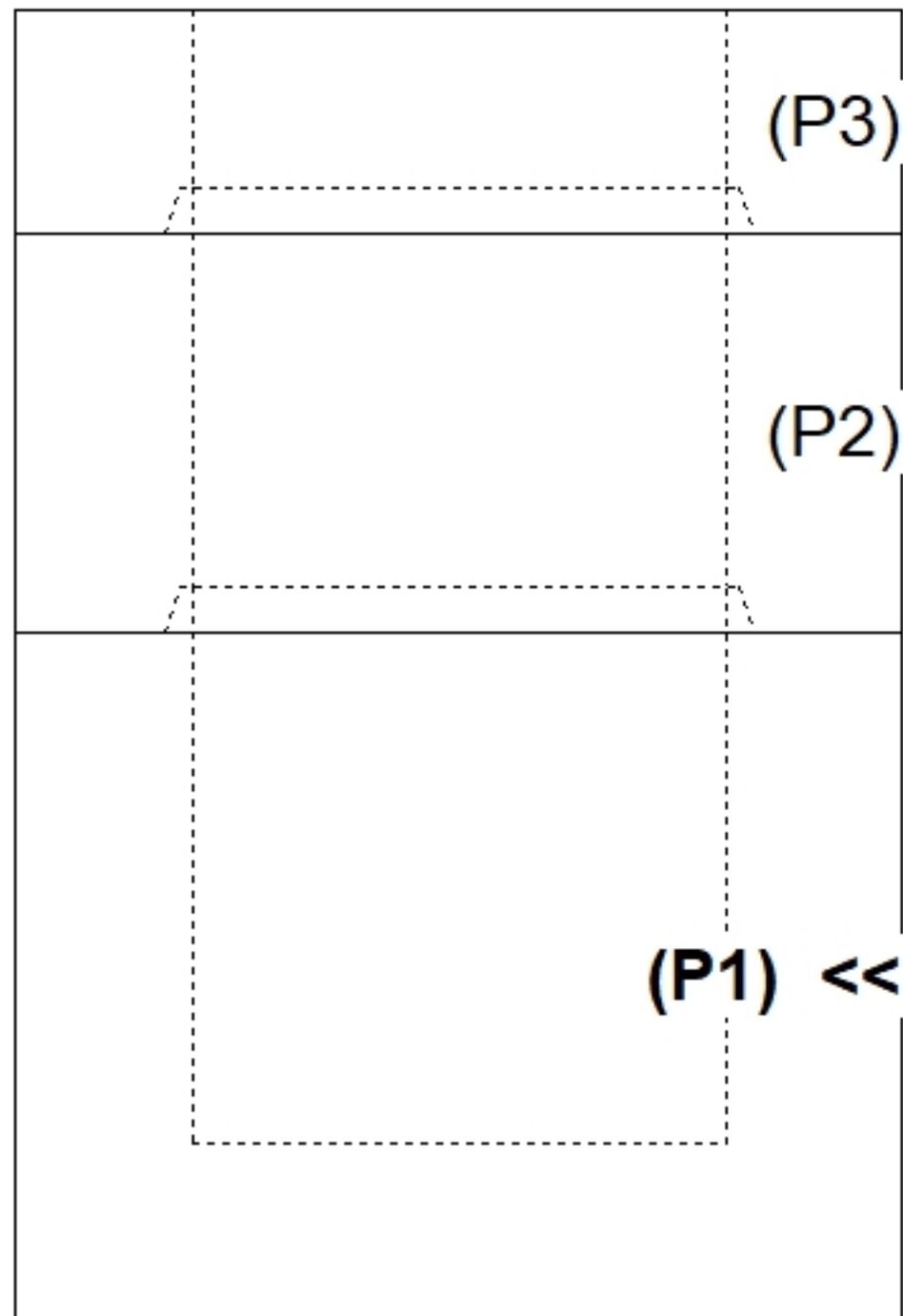
- TOP PHASE (As .62) #5 BARS AT 6" C.C.E.W.
- BASE WALLS (As .31) #5 BARS AT 12" C.C.E.W.
- BASE FLOOR (As .31) #5 BARS AT 12" C.C.E.W.

Rim: 890.23'    Rim to Invert: 4.25'    Slack: 0"    Sump: 0"    Step Position:

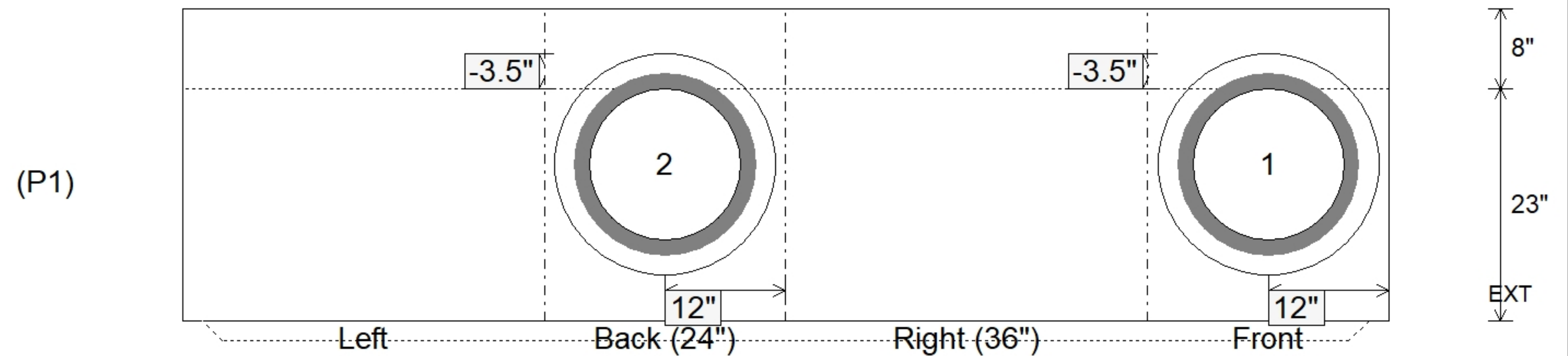
Position	Elev	Angle	Ext. (cw)	Pipe	Pipe OD	Connector	Hole	Horz Size	Up ( )	Offset
Invert 1	885.98'	0°	20"	15" ADS N-12	18"	Hole 22	22"	22"	-3.5"	0"
Invert 2	885.98'	180°	20"	15" ADS N-12	18"	Hole 22	22"	22"	-3.5"	0"
Invert 3										
Invert 4										
Invert 5										
Invert 6										
Invert 7										
Invert 8										

RIGHT-SIDE UP VIEW (int. dimensions)

UPSIDE-DOWN VIEW (int. dimensions)



INSIDE WALL DIMENSIONS



Coating (Int):	Seam Up: Tongue	Wall Thickness: 8"	Height (Int): 23"
Coating (Ext):	Seam Dn: n/a	Floor Height: 8"	Height (Ext): 31"
			Weight (Net): 3233 lb
			Volume (Net): 0.83cu.yd